

# WireFree Databook





# Why Somfy?



Somfy has been improving everyday life for more than 270 million people by designing and manufacturing intelligent motorization solutions for interior window coverings and exterior solar protections. Somfy innovates to automate and connect shades, blinds, draperies, awnings, rolling shutters, exterior screens & pergolas for commercial and residential buildings in 58 countries across the globe. With 200+ million motors produced over the last half century, Somfy is committed to creating reliable and sustainable solutions that promote the best way of living and well-being for all.

- Somfy has a production capacity of more than 70,000 motors per day.
- Somfy motors have over 600 approved standards worldwide.
- Somfy has certified over 100 patents since the year 2000.
- Every Somfy motor goes through an extensive quality assurance process including testing in extreme environmental conditions, for electrostatic discharge, mechanical shock, and high life cycle.
- Somfy has a network of 15,000 trained professional installers throughout the world.

Somfy operates in 60 countries, with 76 subsidiaries, and 60 agencies spread across 5 continents. With 8 production centers, Somfy is an efficient and reactive industry leader. Thanks to its strict quality standards, Somfy is able to satisfy the needs of over 270 million users worldwide.

## Somfy has a committed customer support team comprised of Somfy motor and control specialists available for assistance:

**Somfy Corporate Headquarters**  
800-22-SOMFY (76639)

**General Customer Service**  
877-210-5327  
CustomerService\_us@somfy.com

**Standard Purchase Order**  
Ordering\_us@somfy.com

**Rush Purchase Order**  
ExpeditedShippingOrders\_us@somfy.com

**Accounting Inquiries**  
AccountsReivable@somfy.com

**Technical Support**  
877-233-0019  
TechnicalSupport\_us@somfy.com

**Warranty Claim Requests**  
us\_Return@somfy.com



Somfy understands that training and support are critical to success. Somfy's Expert Program provides a platform for those who want to enhance their expertise of motorization and control solutions. Visit [www.somfysystems.com/expert-program](http://www.somfysystems.com/expert-program) to learn more.

# Table of Contents

<b>Introduction</b>	3	40mm WireFree Mechanical Accessories	33
<b>Motor Specifications and Hardware Systems</b>		Cord Lift 25 WireFree™ Zigbee (External Battery)	34
Roll Up 24 WireFree™ RTS (Li-ion)	4	Cord Lift WireFree™ RTS (External Battery)	35
24mm WireFree Motor Crown, Drive, and Bracket Adaptors	5	TL25 Hardware Systems and Accessories	36
Roll Up 28 WireFree™ RTS V2 (Li-ion)	6	Cord Lift WireFree™ CL32 RTS	37
Roll Up 28 WireFree™ RTS V2 (External Battery)	7	CL32 RTS Hardware Systems and Accessories	38
Sonesse® 28 WireFree Zigbee (Li-ion)	8	Tilt 50 WireFree™ Through-Shaft Zigbee (External Battery)	39
Sonesse® 28 WireFree Zigbee (External Battery)	9	Tilt Only 50 WireFree™ RTS Through Shaft	40
Sonesse® 28 WireFree RTS (Li-ion)	10	Tilt 50 Hardware Systems and Accessories	41
Sonesse® 28 WireFree RTS (External Battery)	11	<b>WireFree Controls</b>	
28mm WireFree Hardware Systems		Zigbee® Technology	42
RollEase® R-Series & ZMC XR-Series	12	Radio Technology Somfy® (RTS)	42
RollEase® Skyline & ZMC XL-Series	13	Dry Contact	43
Louvolute® System 40 & ZMC RS-Series	14	<b>WireFree Power Accessories</b>	
28mm WireFree Motor Crown and Drive Adaptors	15	Power Accessories	44
Sonesse® ULTRA 30 WireFree Zigbee (Li-ion)	16	Power Hardware Accessories	44
Sonesse® ULTRA 30 WireFree RTS (Li-ion)	17	<b>Decoflex &amp; Smoove® Button Engraving Forms</b>	
30mm WireFree Hardware Systems		Decoflex Wirefree™ Surface 5 Channel	45
Acmeda®	18	Decoflex Keypad	46
Somfy Decorator Type	19	Smoove® Wireless Wall Switches	47
RollEase® Standard & ZMC XR-Series	20		
RollEase® Skyline & ZMC XR-Series	21		
Louvolute System 40 and ZMC RS-Series	22		
Somfy CTS 40	23		
30mm WireFree Motor Crown and Drive Adaptors	24		
Sonesse® 40 WireFree RTS (Li-ion)	25		
40mm WireFree Hardware Systems			
Acmeda® System	26		
Somfy Decorator Type	28		
RollEase® Skyline	30		
Somfy CTS 40	31		
Bracket, Fascia, and Cassette Solutions			
RollEase®	32		
ZMC®	32		

RollEase® is a registered trademark of RollEase®, Inc. - Stamford, CT.

Louvolute® is a registered trademark of Louver-lite Limited.

Hunter Douglas® is a registered trademark of Hunter Douglas Industries Switzerland GmbH Corporation- Luzern, Switzerland.

Comfortex® is a registered trademark of Comfortex Corporation - New York, NY.

RadioRA® 2, HomeWorks® QS, GRAFIK Eye® QS, and Quantum® are a registered trademark of Lutron Electronics Inc.

Energizer® is a registered trademark of Energizer Battery Company, Inc.

Zigbee® is a registered trademark of Connectivity Standards Alliance.

Amazon, Alexa, and all related logos are the trademarks of Amazon.com, Inc. or its affiliates.

All brands, products and trademarks are the property of their respective owners.



# Conveniently WireFree

This document is a presentation of the motors, accessories, and specifications related to the wirefree motor range. It provides the technical information needed to order, fabricate, and sell battery-powered motors.

Somfy offers an innovative and simple line of completely battery-powered wirefree motors. These motors install in minutes and provide a perfect solution for hard-to-reach window coverings and offer solutions in areas where access to wiring may be a challenge. This allows users to create the best living environment with optimal natural light levels at the press of a button without the need for an electrician. The wirefree motors can be controlled using hand-held remotes, an app on a smart device, the sound of your voice, wireless wall switches, table top controls, sensors, timers, and third-party automation systems.



**Zigbee®: A comfort-driven ecosystem of smart shading products featuring real-time, bi-directional communication.**



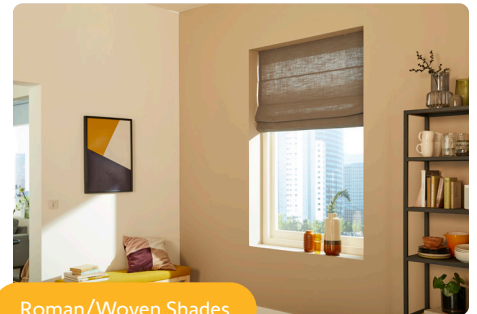
**Radio Technology Somfy® (RTS): wireless radio control of motorized window coverings via the RTS family of controls.**



Solar/Roller Shades



Sheer Horizontal Shades



Roman/Woven Shades



Pleated/Cellular Shades



Horizontal Blinds



Layered Shades



As with all Somfy products, the WireFree motors are backed by a 5 year warranty.



# Roll Up 24 WireFree™ RTS (Li-ion)

Item #: 1240278



Offers control via Radio Technology Somfy® (RTS)



## Applications



Roller Shades



Roman Shades



Sheer Horizontal



Woven Wood



Layered Shades

## Technical Features

**Voltage Supply** 12V DC

**Index Protection Rating** IP 20  
(interior use only)

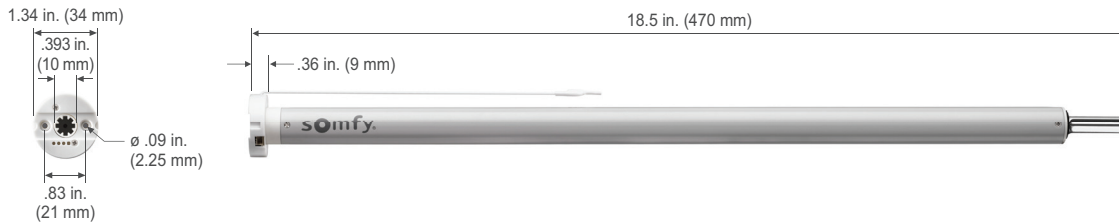
**Limit Switch Type** Electronic

**Temperature Working Range** 32°F to 140°F (0°C to 60°C)

**Insulation Class** Class III

**Antenna** 17.5cm wire length, must not be cut or lengthened. for greatest RF range, must be exposed and should not come in contact with metal surfaces. RF wire may need to be repositioned for optimal performance.

## Dimensions



## Specifications

<b>Nominal Torque</b>	0.55 Nm
<b>Nominal Speed</b>	38 rpm
<b>Adjustable Speed</b>	20-38 by increment of 2 rpm
<b>Radio Protocol</b>	RTS
<b>Radio Frequency</b>	433.42 MHz
<b>Battery Type</b>	12V 800mAh (built-in Lithium-ion)
<b>Battery Autonomy</b>	Only recharge twice per year*
<b>Charging Time</b>	<4.5 Hrs.
<b>Low Battery Indicator</b>	LED (on motor head)

## Certifications

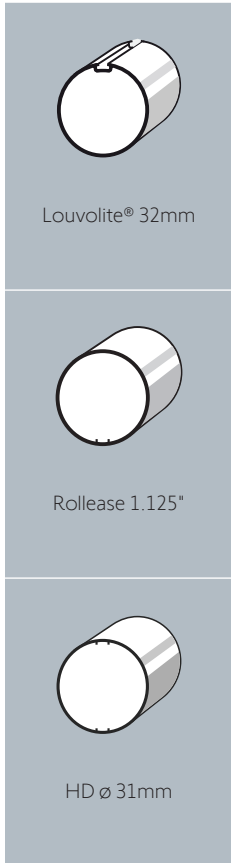


\*Based on average shade size and one cycle per day

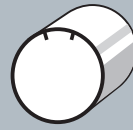
# 24mm WireFree Motor

## Crown, Drive, and Bracket Adaptors

### Crowns & Drives for 24mm Motors



Crown & Drive for Louvolite 32  
#9025710



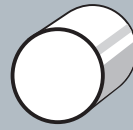
Rollease 1.25"



Crown & Drive for Rollease 1.25" (32mm)  
#9025711



Crown & Drive for Rollease 1.125" (28mm)  
#9025712



28mm Round



Crown & Drive for 28mm Tube  
#9025744



Crown & Drive for HD 31mm Tube  
#9025745

### Motor Plates for 24mm Motors



Motor Plate (Starhole)  
#9025713



Motor Plate (with Ears)  
#9025735



Motor Plate for Louvolite 32  
#9025736



Motor Plate for Skyline  
#9025737



Motor Plate Pin (6mm x 3mm)  
#9025738

# Roll Up 28 WireFree™ RTS V2 (Li-ion)

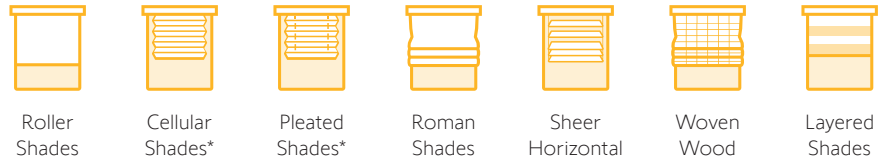
Item #: 1241150



Offers control via Radio Technology Somfy® (RTS)



## Applications



\* When used with Somfy CTS40

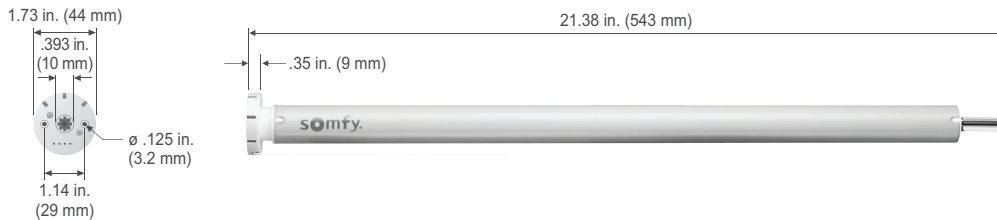
## Technical Features

<b>Voltage Supply</b>	12V DC
<b>Index Protection Rating</b> (interior use only)	IP 20
<b>Limit Switch Type</b>	Electronic

<b>Temperature Working Range</b>	32°F to 140°F (0°C to 60°C)
<b>Insulation Class</b>	Class III

**Antenna** 17.5cm wire length, must not be cut or lengthened. for greatest RF range, must be exposed and should not come in contact with metal surfaces. RF wire may need to be repositioned for optimal performance.

## Dimensions



## Specifications

<b>Nominal Torque</b>	1.1 Nm
<b>Nominal Speed</b>	20 rpm
<b>Adjustable Speed</b>	10-28 by increment of 2 rpm
<b>Radio Protocol</b>	RTS
<b>Radio Frequency</b>	433.42 MHz
<b>Battery Type</b>	12V 2600mAh (built-in Lithium-ion)
<b>Battery Autonomy</b>	Only recharge once per year*
<b>Charging Time</b>	4.5 Hrs.
<b>Low Battery Indicator</b>	LED (on motor head)

## Certifications



\*Based on average shade size and one cycle per day



# Roll Up 28 WireFree™ RTS V2 (External Battery)

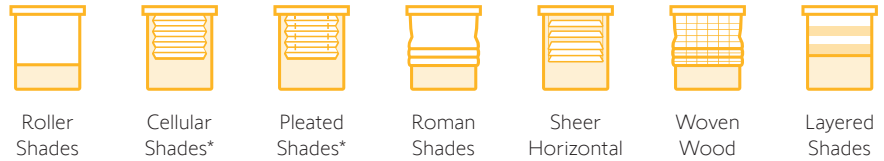
Item #: 1241162



Offers control via Radio Technology Somfy® (RTS)



## Applications



\* When used with Somfy CTS40

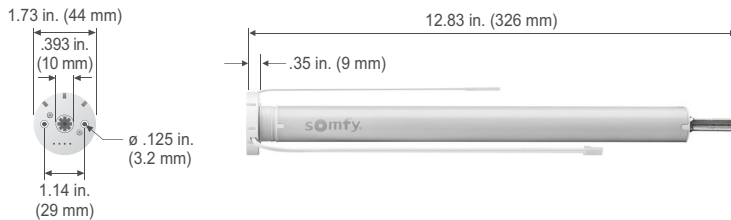
## Technical Features

<b>Voltage Supply</b>	12V DC
<b>Index Protection Rating</b> (interior use only)	IP 20
<b>Limit Switch Type</b>	Electronic

<b>Temperature Working Range</b>	32°F to 140°F (0°C to 60°C)
<b>Insulation Class</b>	Class III

**Antenna** 17.5cm wire length, must not be cut or lengthened. for greatest RF range, must be exposed and should not come in contact with metal surfaces. RF wire may need to be repositioned for optimal performance.

## Dimensions



## Specifications

<b>Nominal Torque</b>	1.1 Nm
<b>Nominal Speed</b>	20 rpm
<b>Adjustable Speed</b>	10 to 28 by increment of 2 rpm
<b>Radio Protocol</b>	RTS
<b>Radio Frequency</b>	433.42 MHz
<b>Battery Type</b>	12V 2600mAh (External Lithium-ion)
<b>Battery Autonomy</b>	Only recharge once per year*
<b>Charging Time</b>	4.5 Hrs.
<b>Low Battery Indicator</b>	LED (on motor head)

## Certifications



\*Based on average shade size and one cycle per day

# Sonesse® 28 WireFree Zigbee (Li-ion)

Item #: 1241755



Somfy  
DESIGNED FOR  
SILENCE



## Applications



Roller  
Shades



Cellular  
Shades\*



Pleated  
Shades\*



Roman  
Shades



Sheer  
Horizontal



Woven  
Wood



Layered  
Shades

\* When used with Somfy CTS40

## Technical Features

**Voltage Supply** 12V DC

**Index Protection Rating** IP 20  
(interior use only)

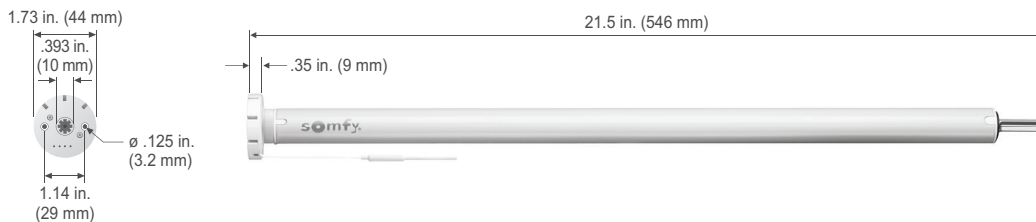
**Limit Switch Type** Electronic

**Temperature Working Range** 32°F to 140°F (0°C to 60°C)

**Insulation Class** Class III

**Antenna** 15 cm wire length, must not be cut or lengthened. For greatest RF range, must be exposed and should not come in contact with metal surfaces. RF wire may need to be repositioned for optimal performance.

## Dimensions



## Specifications

<b>Nominal Torque</b>	1.1 Nm
<b>Nominal Speed</b>	20 rpm
<b>Adjustable Speed</b>	10-28 by increment of 1 rpm
<b>Radio Protocol</b>	Zigbee 3.0 / Bluetooth 4.2
<b>Radio Frequency</b>	2.4 GHz
<b>Battery Type</b>	12V 2600mAh (built-in Lithium-ion)
<b>Battery Autonomy</b>	Only recharge once per year*
<b>Charging Time</b>	< 4 to 5 Hrs.
<b>Low Battery Indicator</b>	LED (on motor head)

## Certifications



\*Based on average shade size and one cycle per day

# Sonesse® 28 WireFree Zigbee (External Battery)

Item #: 1241754



Somfy  
DESIGNED FOR  
SILENCE



## Applications



Roller  
Shades



Cellular  
Shades\*



Pleated  
Shades\*



Roman  
Shades



Sheer  
Horizontal



Woven  
Wood



Layered  
Shades

\* When used with Somfy CTS40

## Technical Features

**Voltage Supply** 12V DC

**Index Protection Rating** IP 20  
(interior use only)

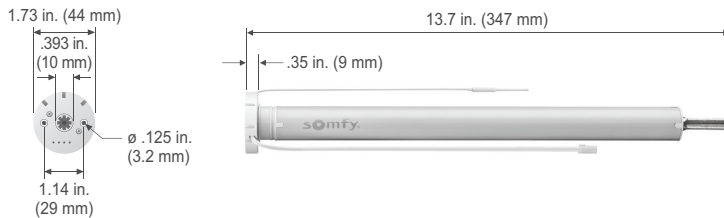
**Limit Switch Type** Electronic

**Temperature Working Range** 32°F to 140°F (0°C to 60°C)

**Insulation Class** Class III

**Antenna** 15 cm wire length, must not be cut or lengthened. For greatest RF range, must be exposed and should not come in contact with metal surfaces. RF wire may need to be repositioned for optimal performance.

## Dimensions



## Specifications

<b>Nominal Torque</b>	1.1 Nm
<b>Nominal Speed</b>	20 rpm
<b>Adjustable Speed</b>	10 to 28 by increment of 1 rpm
<b>Radio Protocol</b>	Zigbee 3.0 / Bluetooth 4.2
<b>Radio Frequency</b>	2.4 GHz
<b>Battery Type</b>	12V 2600mAh (External Lithium-ion)
<b>Battery Autonomy</b>	Only recharge once per year*
<b>Charging Time</b>	< 4 to 5 Hrs.
<b>Low Battery Indicator</b>	LED (on motor head)

\*Based on average shade size and one cycle per day

## Certifications





# Sonesse® 28 WireFree RTS (Li-ion)

Item #: 1003297



Somfy  
DESIGNED FOR  
SILENCE



Radio Technology Somfy®  
Offers control via  
Radio Technology  
Somfy® (RTS)



## Applications



Roller  
Shades



Cellular  
Shades\*



Pleated  
Shades\*



Roman  
Shades



Sheer  
Horizontal



Woven  
Wood



Layered  
Shades

\* When used with Somfy CTS40

## Technical Features

**Voltage Supply** 12V DC

**Index Protection Rating** IP 20  
(interior use only)

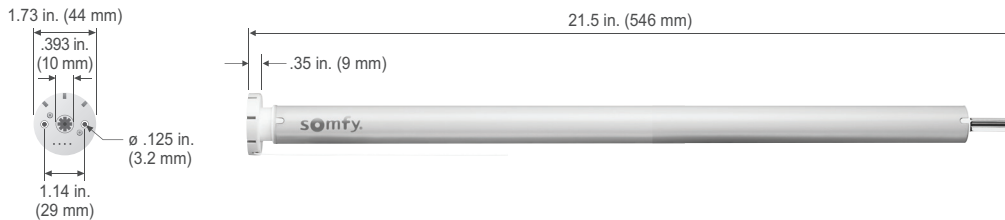
**Limit Switch Type** Electronic

**Temperature Working Range** 32°F to 140°F (0°C to 60°C)

**Insulation Class** Class III

**Antenna** 17.5cm wire length, must not be cut or lengthened. for greatest RF range, must be exposed and should not come in contact with metal surfaces. RF wire may need to be repositioned for optimal performance.

## Dimensions



## Specifications

<b>Nominal Torque</b>	1.1 Nm
<b>Nominal Speed</b>	20 rpm
<b>Adjustable Speed</b>	10-28 by increment of 2 rpm
<b>Radio Protocol</b>	RTS
<b>Radio Frequency</b>	433.42 MHz
<b>Battery Type</b>	12V 2600mAh (built-in Lithium-ion)
<b>Battery Autonomy</b>	Only recharge once per year*
<b>Charging Time</b>	4.5 Hrs.
<b>Low Battery Indicator</b>	LED (on motor head)

\*Based on average shade size and one cycle per day

## Certifications



# Sonesse® 28 WireFree RTS (External Battery)

Item #: 1241230



Somfy  
DESIGNED FOR  
SILENCE



Radio Technology Somfy®  
Offers control via  
Radio Technology  
Somfy® (RTS)



## Applications



Roller  
Shades



Cellular  
Shades\*



Pleated  
Shades\*



Roman  
Shades



Sheer  
Horizontal



Woven  
Wood



Layered  
Shades

\* When used with Somfy CTS40

## Technical Features

**Voltage Supply** 12V DC

**Index Protection Rating** IP 20  
(interior use only)

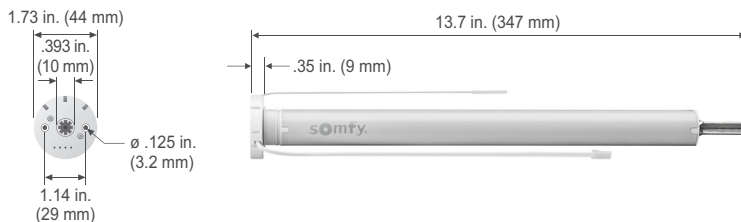
**Limit Switch Type** Electronic

**Temperature Working Range** 32°F to 140°F (0°C to 60°C)

**Insulation Class** Class III

**Antenna** 17.5cm wire length, must not be cut or lengthened. for greatest RF range, must be exposed and should not come in contact with metal surfaces. RF wire may need to be repositioned for optimal performance.

## Dimensions



## Specifications

<b>Nominal Torque</b>	1.1 Nm
<b>Nominal Speed</b>	20 rpm
<b>Adjustable Speed</b>	10 to 28 by increment of 2 rpm
<b>Radio Protocol</b>	RTS
<b>Radio Frequency</b>	433.42 MHz
<b>Battery Type</b>	12V 2600mAh (External Lithium-ion)
<b>Battery Autonomy</b>	Only recharge once per year*
<b>Charging Time</b>	4.5 Hrs.
<b>Low Battery Indicator</b>	LED (on motor head)

## Certifications

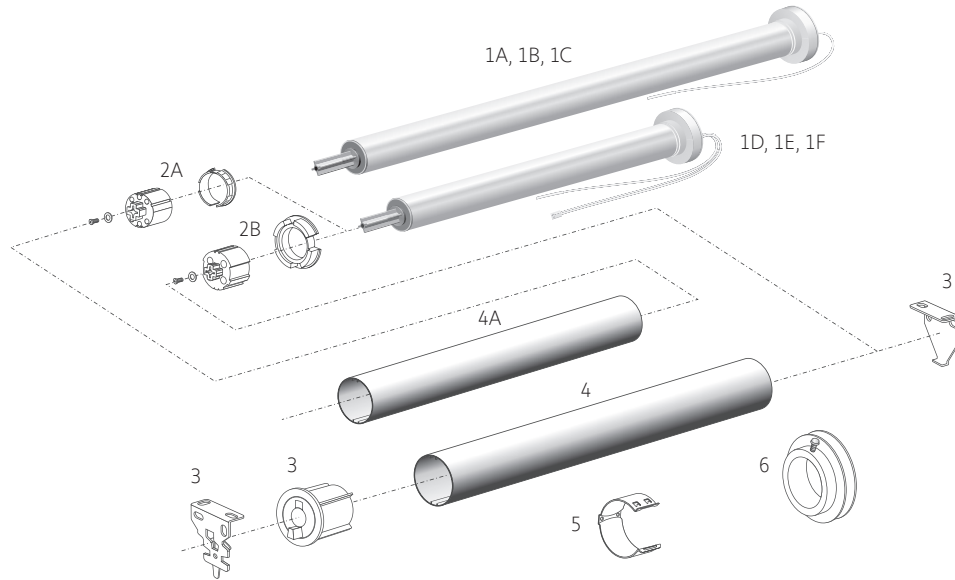


\*Based on average shade size and one cycle per day

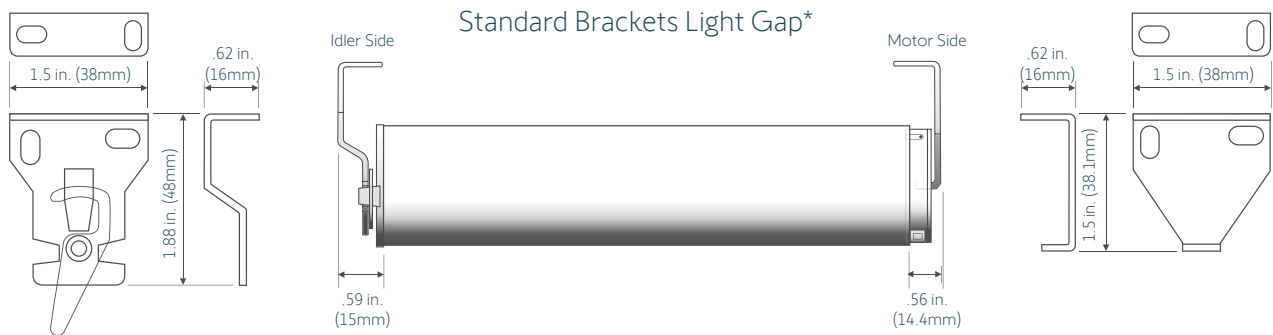
# 28mm WireFree Hardware Systems

## RollEase® R-Series & ZMC XR-Series

### Standard Bracket Components



### Dimensions and Light Gap Specifications



\*Dimensions for reference only and may differ depending on Mfg. product changes, installation, etc.

### Product Chart

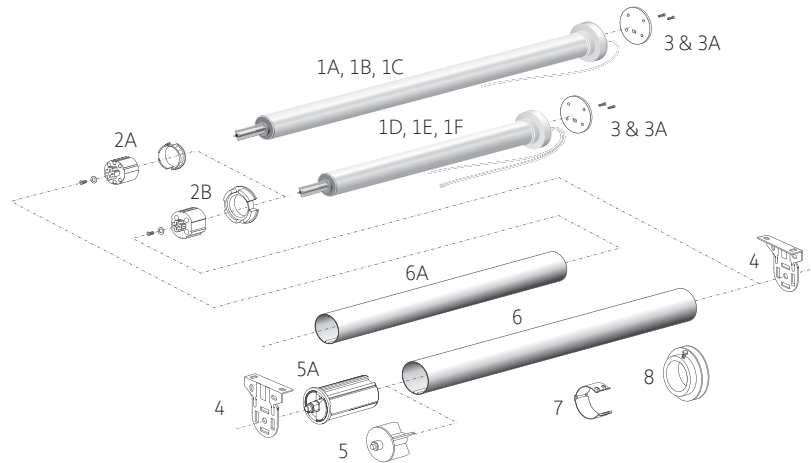
Image	Description	Catalog Number
1A	Sonesse® 28 WireFree Zigbee (Li-ion)	1241755
1B	Sonesse® 28 WireFree RTS (Li-ion)	1003297
1C	Roll Up 28 WireFree™ RTS V2 (Li-ion)	1241150
1D	Sonesse® 28 WireFree Zigbee (External Battery)	1241754
1E	Sonesse® 28 WireFree RTS (External Battery)	1241230
1F	Roll Up 28 WireFree™ RTS V2 (External Battery)	1241162
2A	Crown and Drive (for Rollease® 1.25" Tube & ZMC 1.25" Z-Tube)	9025815
2B	Crown and Drive (for Rollease® 1.5" Tube & ZMC 1.5" Z-Tube)	9020674
3	Rollease® 1.5" Projection Bracket Kit R8 Series & ZMC 1.5" Projection XR-Series Brackets	Contact Somfy/ZMC
4	Rollease® 1.5" Tube ZMC 1.5" Z-Tube	9017913 Contact ZMC
4A	Rollease® 1.25" Tube & ZMC 1.25" Z-Tube	Contact Somfy/ZMC
5	Cord Clips (for Rollease® 1.5" Tube & ZMC 1.5" Z-Tube)	9012200
6	Take-Up Reel (for Rollease® 1.5" Tube & ZMC 1.5" Z-Tube)	1780786



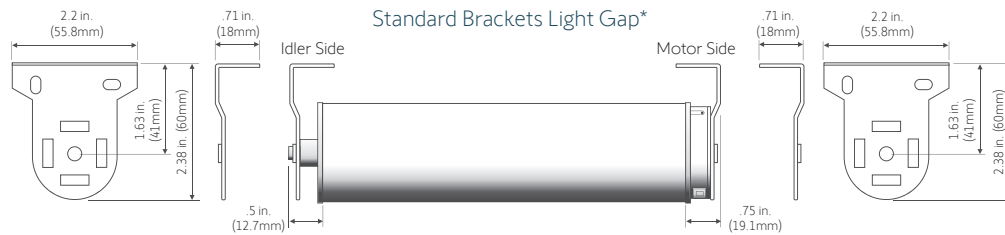
# 28mm WireFree Hardware Systems

## RollEase® Skyline & ZMC XL-Series

### Standard Bracket Components



### Dimensions and Light Gap Specifications



\*Dimensions for reference only and may differ depending on Mfg. product changes, installation, etc.

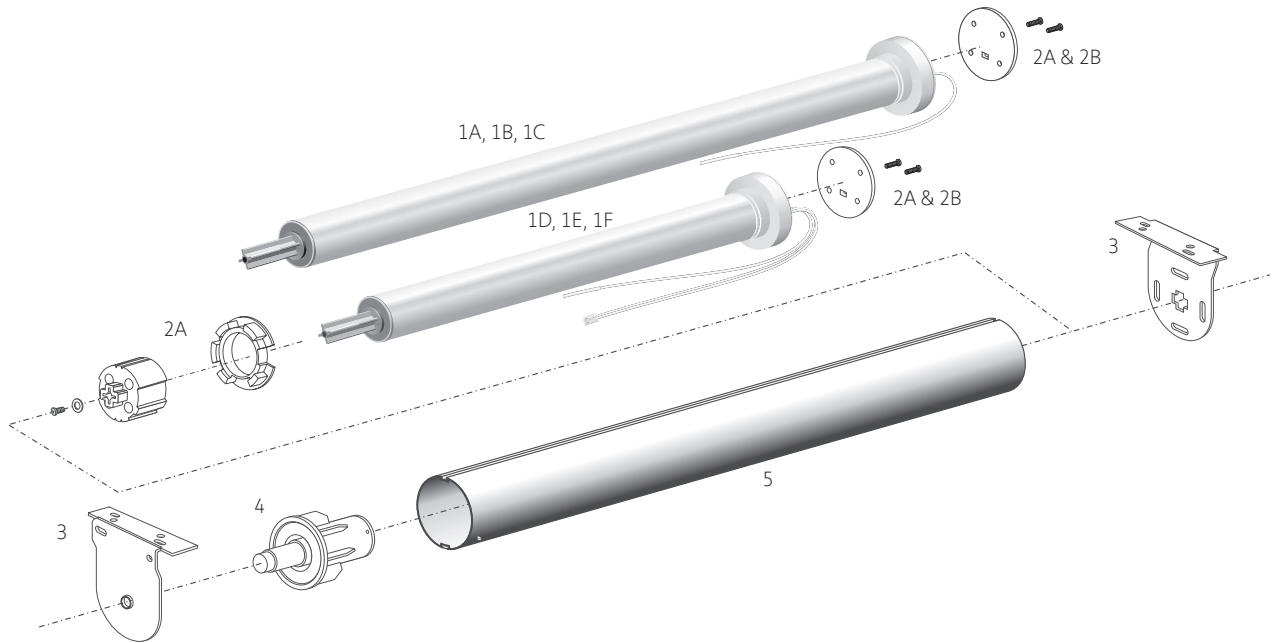
### Product Chart

Image	Description	Catalog Number
1A	Sonesse® 28 WireFree Zigbee (Li-ion)	1241755
1B	Sonesse® 28 WireFree RTS (Li-ion)	1003297
1C	Roll Up 28 WireFree™ RTS V2 (Li-ion)	1241150
1D	Sonesse® 28 WireFree Zigbee (External Battery)	1241754
1E	Sonesse® 28 WireFree RTS (External Battery)	1241230
1F	Roll Up 28 WireFree™ RTS V2 (External Battery)	1241162
2A	Crown and Drive (for Rollease® 1.25" Tube & ZMC 1.25" Z-Tube)	9025815
2B	Crown and Drive (for Rollease® 1.5" Tube & ZMC 1.5" Z-Tube)	9020674
3	Motor Adaptor Plate for Rollease® Skyline and ZMC XL Series Brackets W/ Screws	9016378
3A	M3.5 x 9mm Screw (Sonesse® 40 WireFree, Sonesse® 28/30 WireFree & Roll Up WireFree only)	9014066
4	Skyline Series Brackets 1.5" Projection (Rollease®) (2 Required)	9017910
4	XL-Series Brackets 1.5" Projection (ZMC) (1 Pair required)	Contact ZMC
5	Skyline Series Idler End Plug (for Rollease® 1.25" Tube)	Contact ZMC
5	XL-Series Idle End (for ZMC 1.25" Z-Tube)	Contact ZMC
5A	Skyline Series Heavy Duty Idler End Plug (for Rollease® 1.5" Tube)	9017912
5A	XL-Series Idle End (for ZMC 1.5" Z-Tube)	Contact ZMC
6	Rollease® Style 1.5" Tube ZMC 1.5" Z-Tube	9017913 Contact ZMC
6A	Rollease® Style 1.25" Tube & ZMC 1.25" Z-Tube	Contact ZMC
7	Cord Clips (for Rollease® 1.5" Tube & ZMC 1.5" Z-Tube)	9012200
8	Take-Up Reel (for Rollease® 1.5" Tube & ZMC 1.5" Z-Tube)	1780786

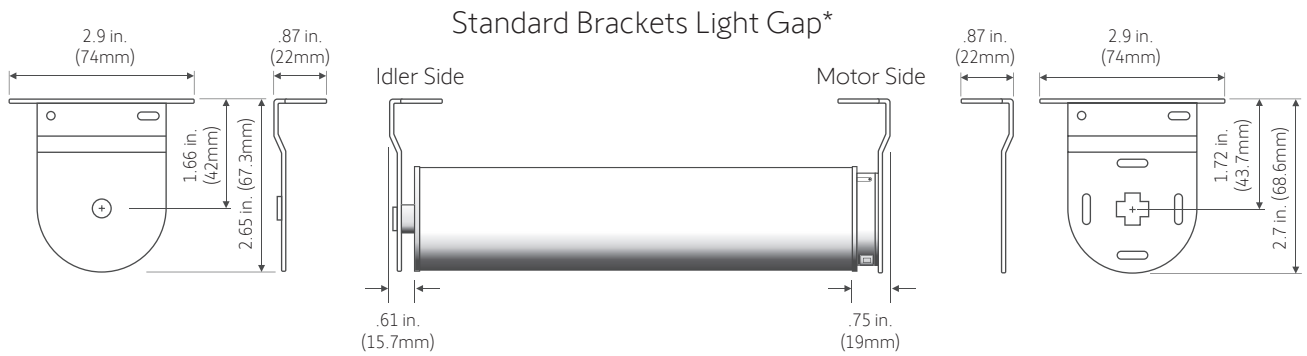
# 28mm WireFree Hardware Systems

## Louvolite® System 40 & ZMC RS-Series

### Standard Bracket Components



### Dimensions and Light Gap Specifications



\*Dimensions for reference only and may differ depending on Mfg. product changes, installation, etc.

### Product Chart

Image	Description	Catalog Number
1A	Sonesse® 28 WireFree Zigbee (Li-ion)	1241755
1B	Sonesse® 28 WireFree RTS (Li-ion)	1003297
1C	Roll Up 28 WireFree™ RTS V2 (Li-ion)	1241150
1D	Sonesse® 28 WireFree Zigbee (External Battery)	1241754
1E	Sonesse® 28 WireFree RTS (External Battery)	1241230
1F	Roll Up 28 WireFree™ RTS V2 (External Battery)	1241162
2A	Crown and Drive (for Louvolite 40mm Tube & ZMC 1.5" RS-Tube includes Motor Adaptor Plate with Screws)	9020675
2B	M3.5 x 9mm Screw (Sonesse® 40 WireFree, Sonesse® 28/30 WireFree & Roll Up WireFree only)	9014066
3	Motor & Idler Bracket Kit (for Louvolite® Style System 40 & ZMC RS-Series)	9013715
4	Collapsible End Plug (for Louvolite® Style System 40 & ZMC RS-Series)	9013716
5	Louvolite® Style 40mm Tube & ZMC 1.5" RS-Tube	Contact ZMC

# 28mm WireFree Motor

## Crown and Drive Adaptors

### Crowns & Drives for 28mm Motors

 <p>ø 1.25 in. / 32mm RollEase®</p>	 <p>#9025815</p>	 <p>ø 1.625 in. / 41.28mm Louvolite® System 40</p>	 <p>#9020675</p>	 <p>Louvolite® 45mm</p>	 <p>#9025811</p>
 <p>ø 1.5 in. / 38mm RollEase®</p>	 <p>#9020674</p>	 <p>ø 1.05 in. / 28mm Round Tube (Standard)</p>	 <p>#9026644</p>		

### Specialty Applications - Crown and drives may not be suitable for all applications.

NOTE: Please confirm manufacturers current tube profile corresponds to illustrations shown.

 <p>Silhouette® Hunter Douglas</p>	 <p>Silhouette® (post March '04) #9025816</p>	 <p>Vignette® Hunter Douglas</p>	 <p>Vignette® #9025813</p>	 <p>Shangri-La / Vienna Comfortex® / Turnils Old Style</p>	 <p>Shangri-La® / Vienna Tube #9026396</p>
 <p>Shangri-La / Vienna Comfortex® / Turnils New Style</p>	 <p>Shangri-La® / Vienna Tube #9026395</p>	 <p>HD ø 31mm</p>	 <p>#9025812</p>	 <p>HD ø 37mm</p>	 <p>#9020699</p>
 <p>Acmeda 45</p>	 <p>#9021018</p>	 <p>Acmeda 45 HVY DTY</p>	 <p>#9021036</p>		 <p>Sonesse® 30 WireFree to 400 Series Adaptor Kit #9020676</p>
 <p>Rollease/ZMC 2"</p>	 <p>Crown &amp; Drive for Rollease/ ZMC 2" Profiled Tube #9021017</p>	 <p>Silhouette® Hunter Douglas</p>	 <p>Crown &amp; Drive Set Adaptor for Hunter Douglas 4" Silhouette #9016953 (Use with #9020676)</p>		



# Sonesse® ULTRA 30 WireFree Zigbee (Li-ion)

Item #: 1241752



Somfy  
DESIGNED FOR  
SILENCE



## Applications



Roller  
Shades



Cellular  
Shades\*



Pleated  
Shades\*



Roman  
Shades



Sheer  
Horizontal



Woven  
Wood



Layered  
Shades

\* When used with Somfy CTS40

## Technical Features

**Voltage Supply** 12V DC

**Index Protection Rating** IP 20  
(interior use only)

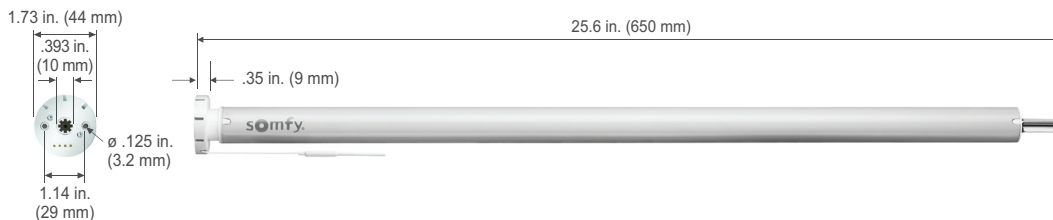
**Limit Switch Type** Electronic

**Temperature Working Range** 32°F to 140°F (0°C to 60°C)

**Insulation Class** Class III

**Antenna** 15 cm wire length, must not be cut or lengthened. For greatest RF range, must be exposed and should not come in contact with metal surfaces. RF wire may need to be repositioned for optimal performance.

## Dimensions



## Specifications

<b>Nominal Torque</b>	2 Nm
<b>Nominal Speed</b>	20 rpm
<b>Adjustable Speed</b>	10-28 by increment of 1 rpm
<b>Radio Protocol</b>	Zigbee 3.0 / Bluetooth 4.2
<b>Radio Frequency</b>	2.4 GHz
<b>Battery Type</b>	12V 2600mAh (built-in Lithium-ion)
<b>Battery Autonomy</b>	Only recharge once per year*
<b>Charging Time</b>	< 4 to 5 Hrs.
<b>Low Battery Indicator</b>	LED (on motor head)

## Certifications



\*Based on average shade size and one cycle per day

# Sonesse® ULTRA 30 WireFree RTS (Li-ion)

Item #: 1003310



Somfy  
DESIGNED FOR  
SILENCE



Radio Technology Somfy®  
Offers control via  
Radio Technology  
Somfy® (RTS)



## Applications



Roller  
Shades



Cellular  
Shades\*



Pleated  
Shades\*



Roman  
Shades



Sheer  
Horizontal



Woven  
Wood



Layered  
Shades

\* When used with Somfy CTS40

## Technical Features

**Voltage Supply** 12V DC

**Index Protection Rating** IP 20  
(interior use only)

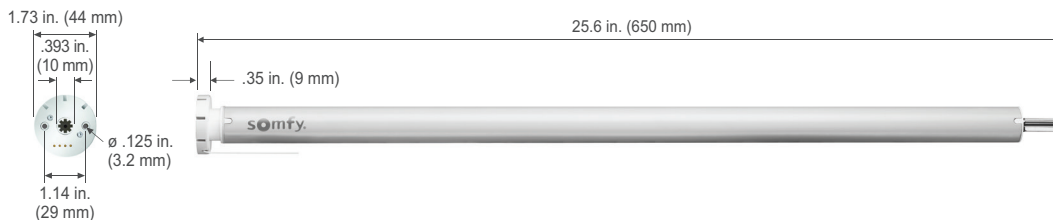
**Limit Switch Type** Electronic

**Temperature Working Range** 32°F to 140°F (0°C to 60°C)

**Insulation Class** Class III

**Antenna** 17.5cm wire length, must not be cut or lengthened. for greatest RF range, must be exposed and should not come in contact with metal surfaces. RF wire may need to be repositioned for optimal performance.

## Dimensions



## Specifications

<b>Nominal Torque</b>	2 Nm
<b>Nominal Speed</b>	20 rpm
<b>Adjustable Speed</b>	10-28 by increment of 2 rpm
<b>Radio Protocol</b>	RTS
<b>Radio Frequency</b>	433.42 MHz
<b>Battery Type</b>	12V 2600mAh (built-in Lithium-ion)
<b>Battery Autonomy</b>	Only recharge once per year*
<b>Charging Time</b>	4.5 Hrs.
<b>Low Battery Indicator</b>	LED (on motor head)

## Certifications

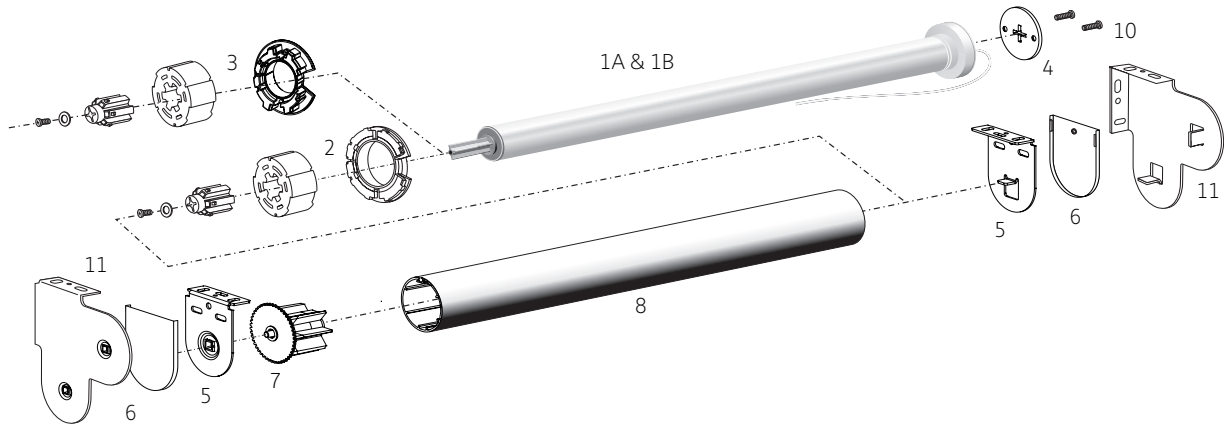


\*Based on average shade size and one cycle per day

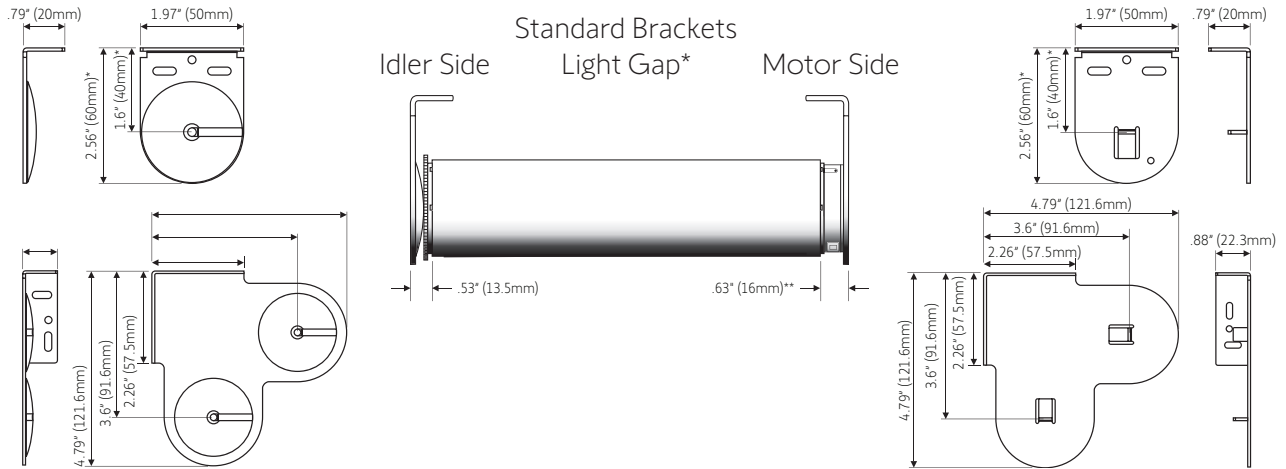
# 30mm WireFree Hardware Systems

Acmeda®

## Standard Bracket Components



## Dimensions and Light Gap Specifications



\*Dimensions for reference only and may differ depending on Mfg. product changes, installation, etc.  
Includes motor bracket adapter plate #9013789

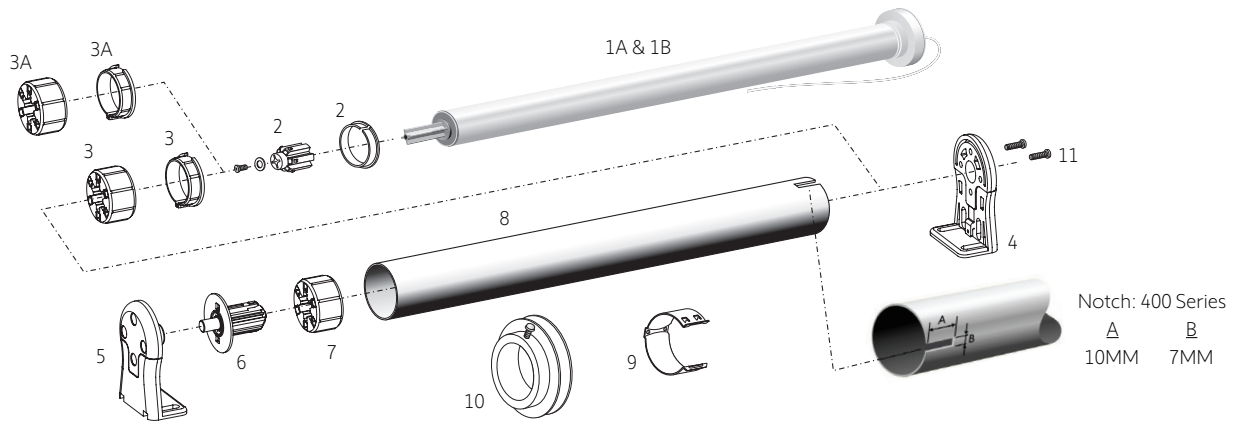
## Product Chart

Image	Description	Catalog Number
1A	Sonessé® ULTRA 30 WireFree Zigbee (Li-ion)	1241752
1B	Sonessé® ULTRA 30 WireFree RTS (Li-ion)	1003310
2	Crown & Drive 45mm Tube (Acmeda Type) (does not require # 9020676)	9021018
3	Heavy Duty Crown & Drive 45mm (Acmeda Type) (does not require # 9020676)	9021036
4	Motor Bracket Adaptor Plate (Acmeda Type)	9013789
5	Motor & Idler Bracket Kit 40p (Acmeda Type)	9013778
6	Plastic Bracket Cover 40p Kit (Acmeda Type)	9013780
7	Idler End Plug 45mm Tube (Acmeda Type)	9013774
8	45m Aluminum Tube (16 ft. max length)	1780688
9	M 3.5 x 9mm Screws	9014066
10	Dual Motor & Idler Bracket Kit 122mm x 122mm	9013782

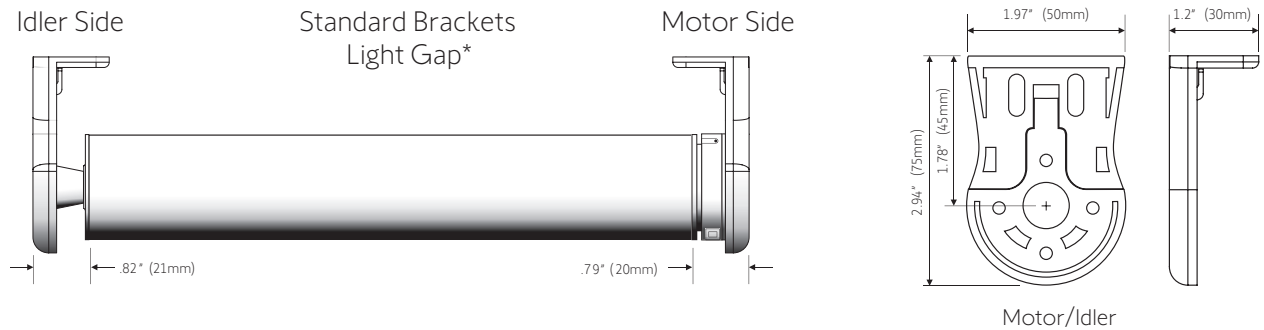
# 30mm WireFree Hardware Systems

## Somfy Decorator Type

### Standard Bracket Components



### Dimensions and Light Gap Specifications



\*Dimensions for reference only and may differ depending on Mfg. product changes, installation, etc.

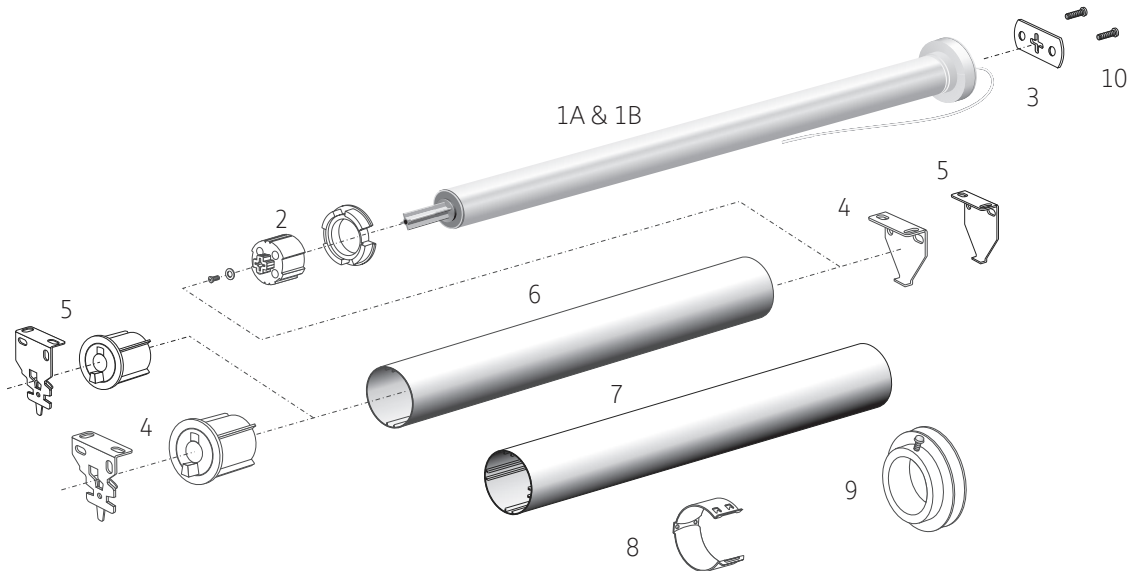
### Product Chart

Image	Description	Catalog Number
1A	Sonesse® ULTRA 30 WireFree Zigbee (Li-ion)	1241752
1B	Sonesse® ULTRA 30 WireFree RTS (Li-ion)	1003310
2	Sonesse® 30 WireFree to LS40 Adaptor Kit (required part for conversion)	9020676
3	Crown and Drive (Somfy 40mm x 1.5mm Round Tube)	9012224
3A	Crown and Rubberized Drive (Somfy 40mm x 1.5mm Round Tube)	9016654
4	Motor Bracket (Decorator Type)	9500683
5	Idler End Bracket (Decorator Type)	9500685
6	Idler End Plug (Decorator Type)	9500688
7	40mm Round Drive (for use with Idler End Plug 9500688)	9147544
8	Somfy 40mm Round Tube (20ft. max length)	1781153
9	40mm Fabric/Cord Clip for Roman Shade Applications	9012200
10	Cord Take-Up Reel (40mm Tube)	1781152
11	M3.5 x 9MM Screws (Must be ordered separately when used with Sonesse® 30 Motor Range.)	9014066

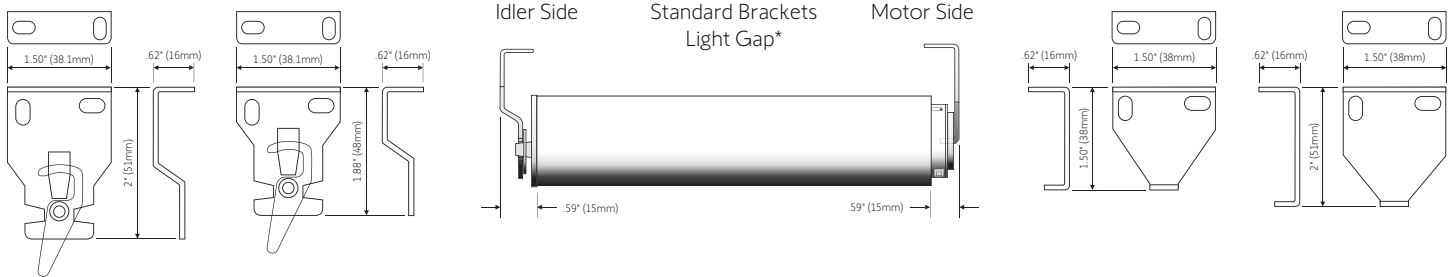
# 30mm WireFree Hardware Systems

## RollEase® Standard & ZMC XR-Series

### Standard Bracket Components



### Dimensions and Light Gap Specifications



\*Dimensions for reference only and may differ depending on Mfg. product changes, installation, etc.

### Product Chart

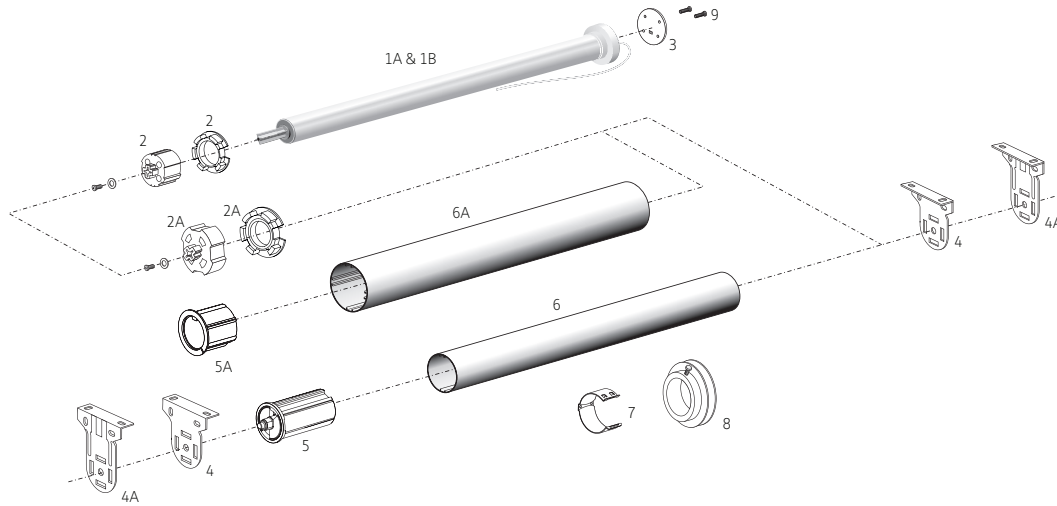
Image	Description	Catalog Number
1A 1B	Sonessé® ULTRA 30 WireFree Zigbee (Li-ion) Sonessé® ULTRA 30 WireFree RTS (Li-ion)	1241752 1003310
2	Crown and Drive for Rollease® 1.5" Tube	9020674
3	R8 Adaptor Plate	9012258
4	1.5" Projection Bracket Kit R8 Series & ZMC 1.5" Projection Xr-Series Brackets	Contact ZMC
5	2" Projection Bracket Kit R8 Series & ZMC 2" Projection Xr-Series Brackets	Contact ZMC
6	Rollease® 1.5" Tube	9017913
7	ZMC 1.5" Z-Tube	Contact ZMC
8	40mm Fabric/Cord Clip for Roman Shade Applications	9012200
9	Take-Up Reel (for Rollease® 1.5" Tube & ZMC 1.5" Z-Tube)	1780786
10	M3.5 x 9mm Screws	9014066



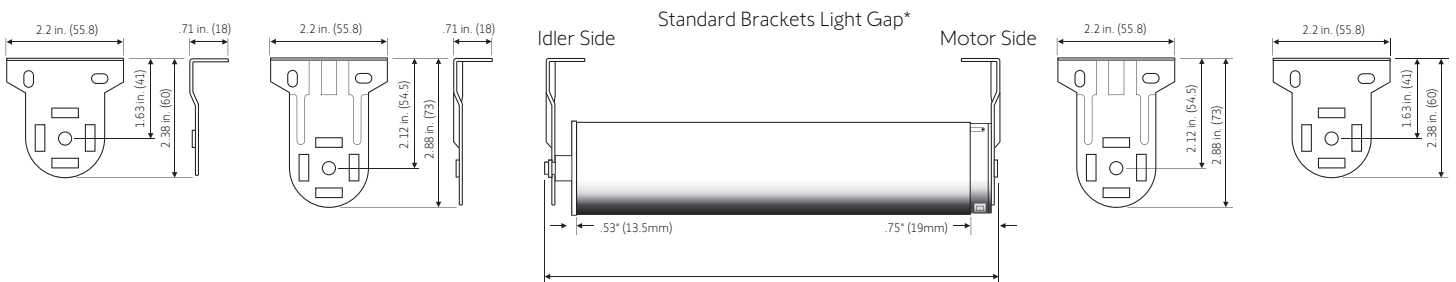
# 30mm WireFree Hardware Systems

## RollEase® Skyline & ZMC XR-Series

### Standard Bracket Components



### Dimensions and Light Gap Specifications



\*Dimensions for reference only and may differ depending on Mfg. product changes, installation, etc.

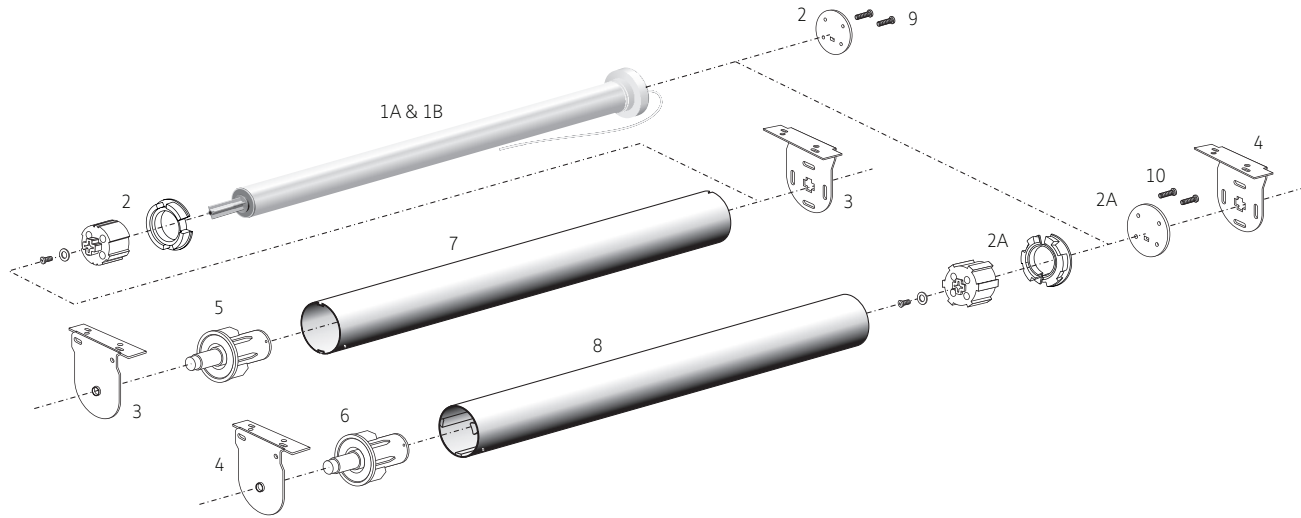
### Product Chart

Image	Description	Catalog Number
1A	Sonesse® ULTRA 30 WireFree Zigbee (Li-ion)	1241752
1B	Sonesse® ULTRA 30 WireFree RTS (Li-ion)	1003310
2	Crown and Drive (for Rollease® 1.5" Tube & ZMC 1.5" Z-Tube)	9020674
2A	Crown and Drive (for Rollease® 2" Tube & ZMC 2" Z-Tube)	9021017
3	Motor Adaptor Plate for Rollease® Skyline Brackets W/Screws & ZMC XL Series Bracket	9016378
4	Skyline Series Brackets 1.5" Projection (Rollease®) (2 required)	9017910
4A	Skyline series Brackets 2" Projection (2 required)	9016325
5	Skyline Series Heavy Duty Idler End Plug (for Rollease® 1.5" Tube)	9017912
5A	Idler Adaptor Collar 2" Profile Tube	9016366
6	Rollease® 1.5" Tube	9017913
6	ZMC 1.5" Z-Tube	Contact ZMC
6A	Rollease 2" Profiled Tube	1781798
7	Cord Clips (for Rollease® 1.5" Tube & ZMC 1.5" Z-Tube)	9012200
8	Take-Up Reel (for Rollease® 1.5" Tube & ZMC 1.5" Z-Tube)	1780786
9	M3.5 x 9mm Screws	9014066

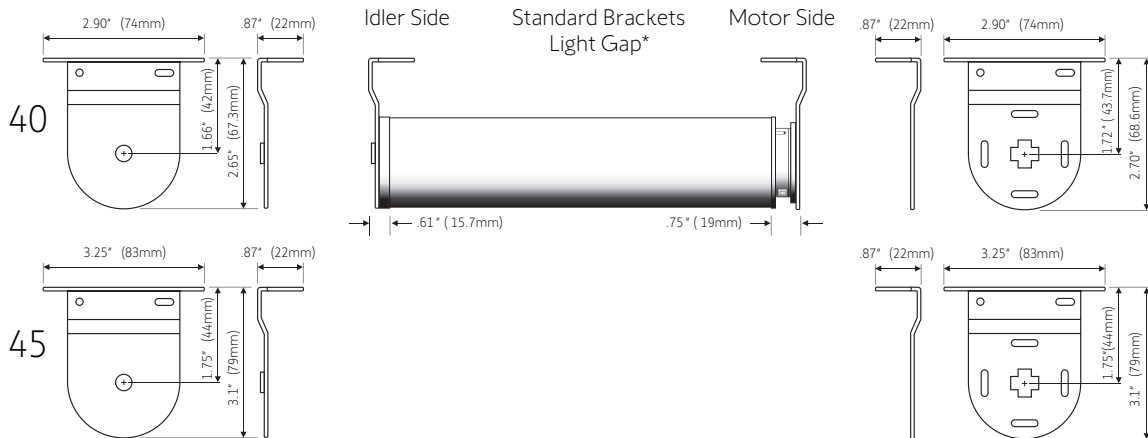
# 30mm WireFree Hardware Systems

## Louvolite System 40 and ZMC RS-Series

### Standard Bracket Components



### Dimensions and Light Gap Specifications



\*Dimensions for reference only and may differ depending on Mfg. product changes, installation, etc.

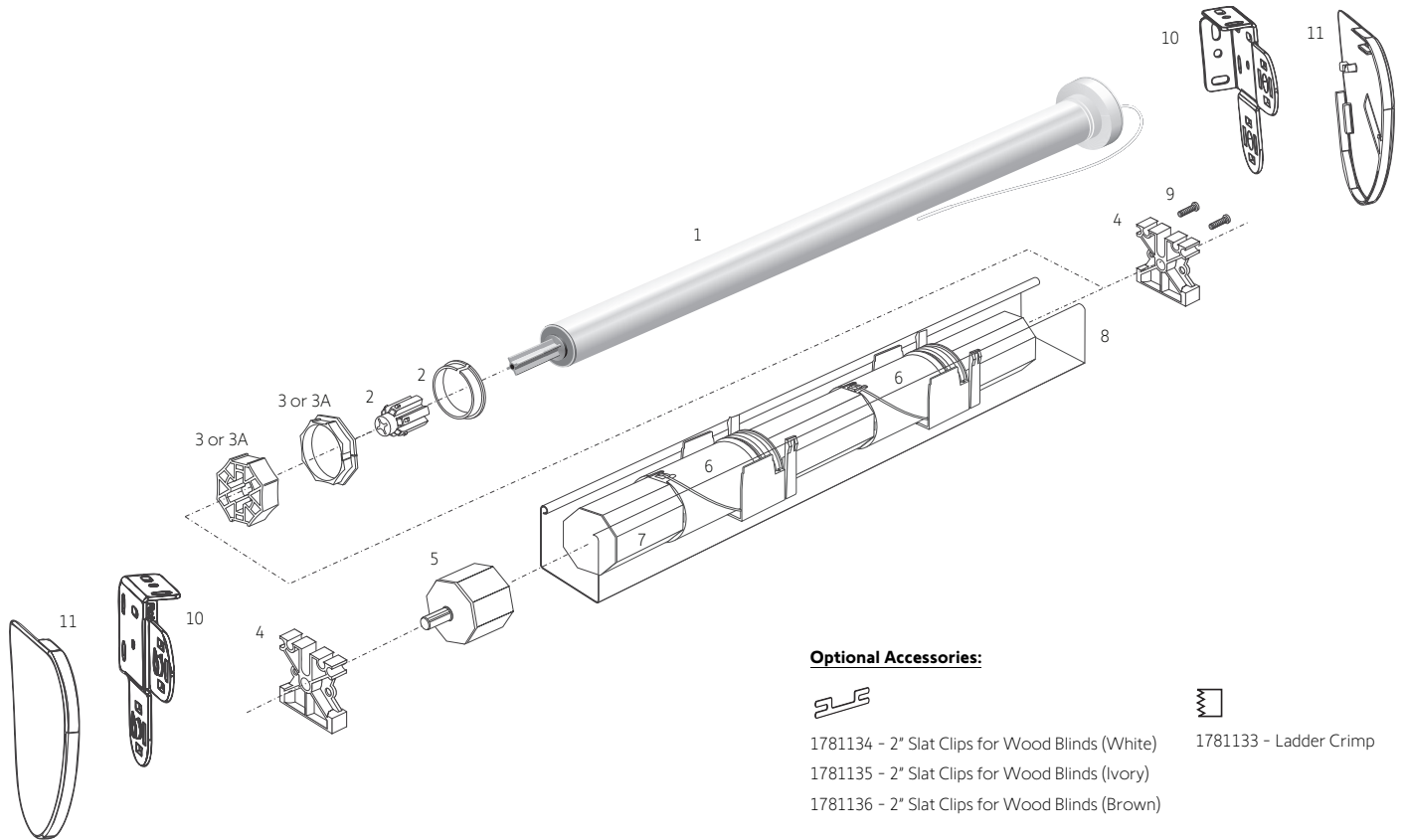
### Product Chart

Image	Description	Catalog Number
1A	Sonesse® ULTRA 30 WireFree Zigbee (Li-ion)	1241752
1B	Sonesse® ULTRA 30 WireFree RTS (Li-ion)	1003310
2	Crown and Drive (Louvolite 40mm Tube) with Adaptor Plate and Screws	9020675
2A	Crown and Drive (Louvolite 45mm Tube) with Adaptor Plate and Screws	9025811
3	Motor & Idler Bracket Kit (for Louvolite® Style System 40 & ZMC RS-Series)	9013715
4	Motor & Idler Bracket Kit (Louvolite System 45)	9015554
5	Collapsible End Plug (for Louvolite® Style System 40 & ZMC RS-Series)	9013716
6	Collapsible End Plug (Louvolite System 45)	9015555
7	Louvolite® Style 40mm Tube & ZMC 1.5" RS-Tube	Contact ZMC
8	Louvolite 45mm Tube	Contact Louvolite
9	Screws M3.5 x 9mm	9014066

# 30mm WireFree Hardware Systems

## Somfy CTS 40

### Cord Take-Up System (CTS)



### Product Chart

Image	Description	Catalog Number
1	Sonesse® ULTRA 30 WireFree RTS (Li-ion)	1003310
2	Sonesse® 30 WireFree to LS40 Adaptor with Screw & Washer	9020676
3	Crown and Drive Kit 40mm Octagonal Tube	9012225
3A	Rubberized Crown and Drive Kit 40mm Octagonal Tube	9016655
4	Motor/Idler Bracket (for 57mm x 51mm Headrail)	9500736
5	Idler End Plug for 40mm Octagonal Tube	9012274
6	CTS 40 (for 57mm x 41mm Headrail)	1781118
7	Somfy 40mm Octagonal Tube (20ft. Max Length)	1781154
8	57mm x 51mm (2" x 2 1/4") Gutter Rail Or Similar	Contact manufacturer
9	M3.5 x 9mm Screws	9014066
10	Rollease® Double Bracket	9016616
11	Rollease® Double Bracket Covers	9017267

# 30mm WireFree Motor

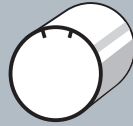
## Crown and Drive Adaptors

### Crowns & Drives for 30mm Motors

Compatible with all 400 series crowns and drives.



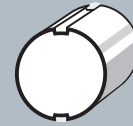
Sonesse® 30 to 400 Series Adaptor Kit  
(adapts Sonesse® 30 WireFree to all 400 Series crowns and drives)  
#9020676



RollEase 1.5"



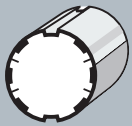
Crown and Drive Set for RollEase®  
1.5"/38mm Tube  
#9020674



ø 1.625 in. / 41.28mm Louvolite® System 40



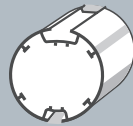
Sonesse® 30 Crown and Drive  
(for Louvolite 40mm tube)  
#9020675



Acmeda 45 HVV DTY



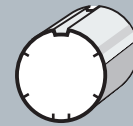
Acmeda 45 Heavy Duty Crown and Drive  
#9021036



HD ø 37mm



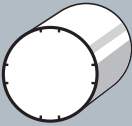
Sonesse® 30 Crown and Drive  
(for HD 37mm tube)  
#9020699



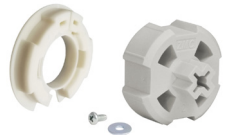
Acmeda 45



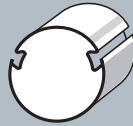
Acmeda 45 Crown and Drive  
#9021018



2" Profiled Tube



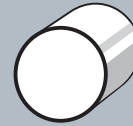
Sonesse® 30 Crown and Drive for RollEase®/ZMC2®/51mm Tube  
#9021017



Silhouette® Hunter Douglas



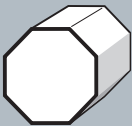
Crown & Drive Set Adaptor for Hunter Douglas 4" Silhouette  
#9016953  
NOTE: Must be used with 9020676



ø 1.5 in. / 40mm Round



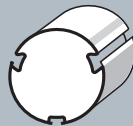
400 Series Crown and Drive Set\*  
(for Somfy 40mm x 1.5" round tube)  
#9012224  
NOTE: Must be used with 9020676



40mm Octagonal Tube



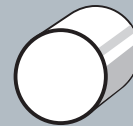
400 Series Crown and Drive Set (40mm X 0.8mm octagonal tube)  
#9012225  
NOTE: Must be used with 9020676



Louvolite® 45mm



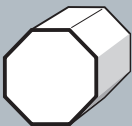
Louvolite 45mm Crown & Drive  
#9025811



ø 1.5 in. / 40mm Round



400 Series Crown and Rubberized Drive (Somfy 40mm X 1.5mm round tube)  
#9016654  
NOTE: Must be used with 9020676



40mm Octagonal Tube



400 Series Crown and Rubberized Drive for 40mm octagonal tube  
#9016655  
NOTE: Must be used with 9020676

# Sonesse® 40 WireFree RTS (Li-ion)

Item #: 1240485



Somfy  
DESIGNED FOR  
SILENCE



Radio Technology Somfy®  
Offers control via  
Radio Technology  
Somfy® (RTS)



## Applications



Roller  
Shades



Cellular  
Shades\*



Pleated  
Shades\*



Roman  
Shades



Sheer  
Horizontal



Woven  
Wood



Layered  
Shades

\* When used with Somfy CTS40

## Technical Features

**Voltage Supply** 12V DC

**Index Protection Rating** IP 30  
(interior use only)

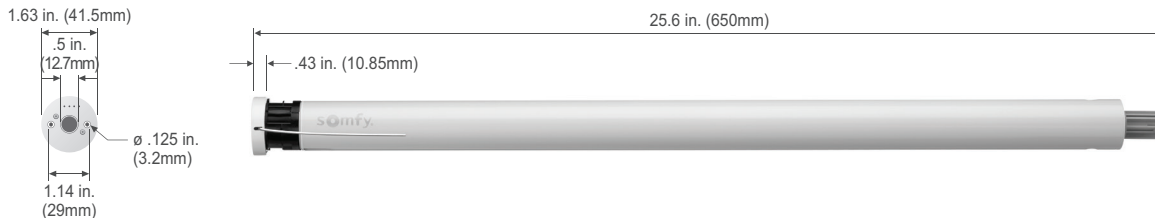
**Limit Switch Type** Electronic

**Temperature Working Range** 32°F to 140°F (0°C to 60°C)

**Insulation Class** Class III

**Antenna** 12cm, wire length, must not be cut or lengthened. for greatest RF range, must be exposed and should not come in contact with metal surfaces. RF wire may need to be repositioned for optimal performance.

## Dimensions



## Specifications

<b>Nominal Torque</b>	3 Nm
<b>Nominal Speed</b>	20 rpm
<b>Adjustable Speed</b>	10-28 by increment of 2 rpm
<b>Radio Protocol</b>	RTS
<b>Radio Frequency</b>	433.42 MHz
<b>Battery Type</b>	12V 4600mAh (built-in Lithium-ion)
<b>Battery Autonomy</b>	Only recharge once per year*
<b>Charging Time</b>	8 Hrs.
<b>Low Battery Indicator</b>	LED (on motor head)

\* Based on one cycle (up and down) per day.

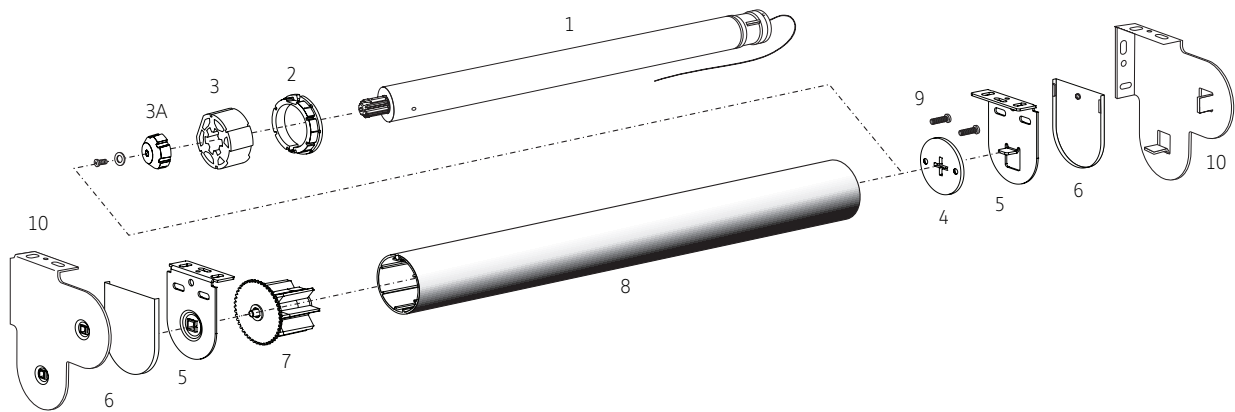
## Certifications



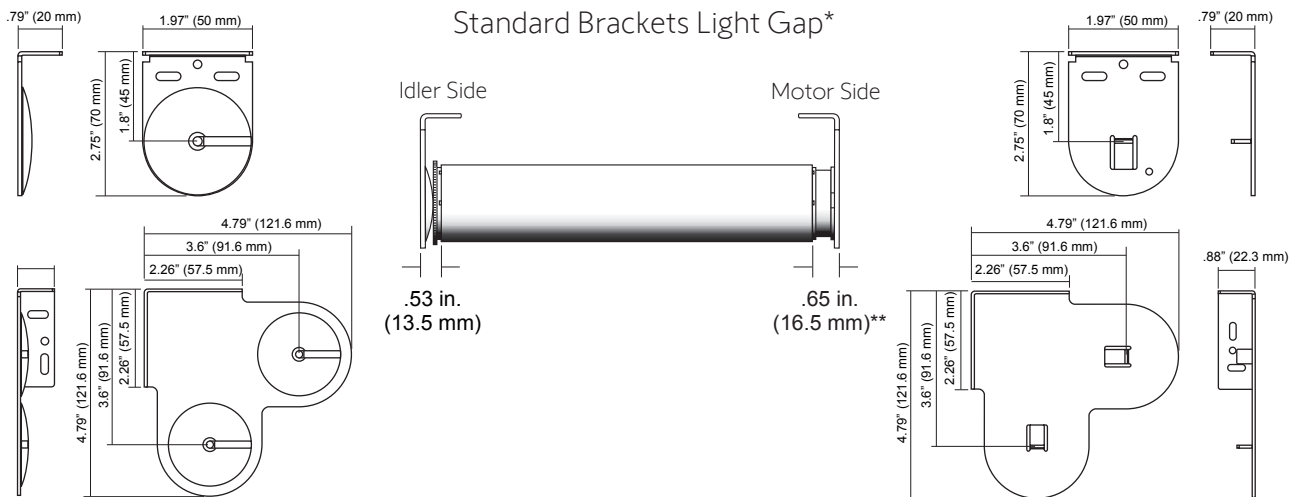
# 40mm WireFree Hardware Systems

Acmeda® System

## Standard Bracket Components



## Dimensions and Light Gap Specifications



\*Dimensions for reference only and may differ depending on Mfg. product changes, installation, etc.

Includes motor bracket adaptor plate #9013789

## Product Chart

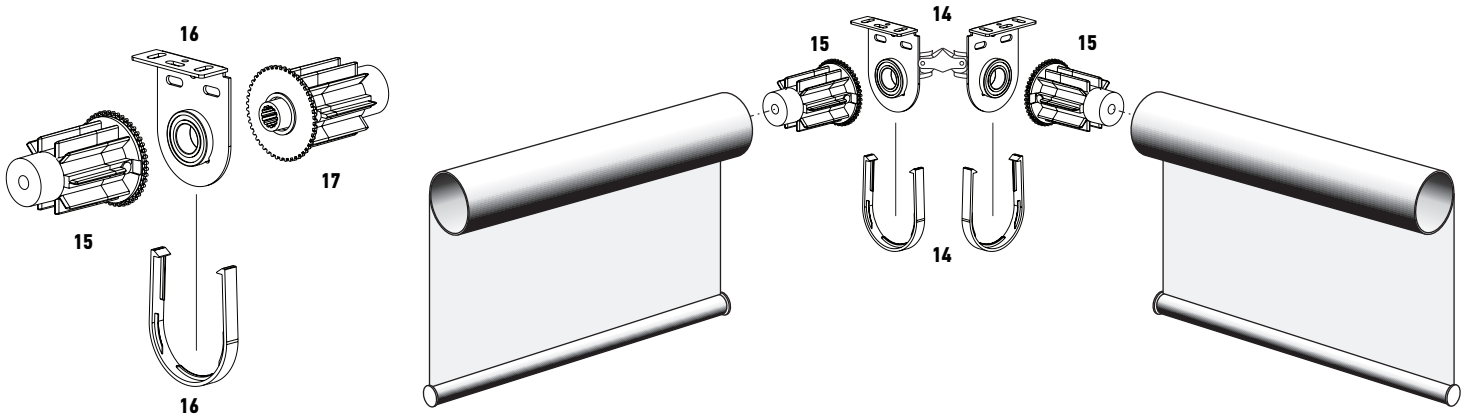
Image	Description	Catalog Number
1	Motor Sonesse® 40 WireFree RTS (Li-ion)	1240485
2	Crown Adaptor 44mm Tube (Acmeda® Type)	9013791
3	Drive Wheel 44mm (Acmeda® Type)	9013790
3A	400 Series Drive Stop with Screw	9147894
4	Motor Bracket Adaptor Plate (Acmeda® Type)	9013789
5	Motor & Idler Bracket Kit 40p (Acmeda® Type)	9013778
6	Plastic Bracket Cover 40p Kit (Acmeda® Type)	9013780
7	Idler End Plug 44mm Tube (Acmeda® Type)	9013774
8	44 M Aluminum Tube (16 ft. Max Length)	1780688
9	M3.5 x 9mm Screws	9014066
10	Motor Bracket Combo Set 122mm x 122mm	9013782



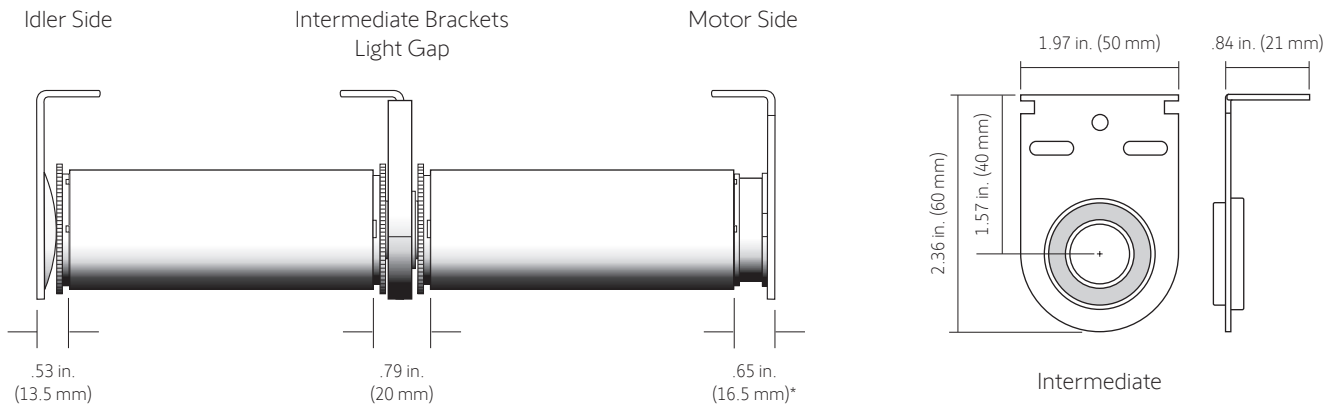
# 40mm WireFree Hardware Systems

Acmeda® System

## Standard Bracket Components



## Dimensions and Light Gap Specifications



\* Includes motor bracket adaptor plate #9013789

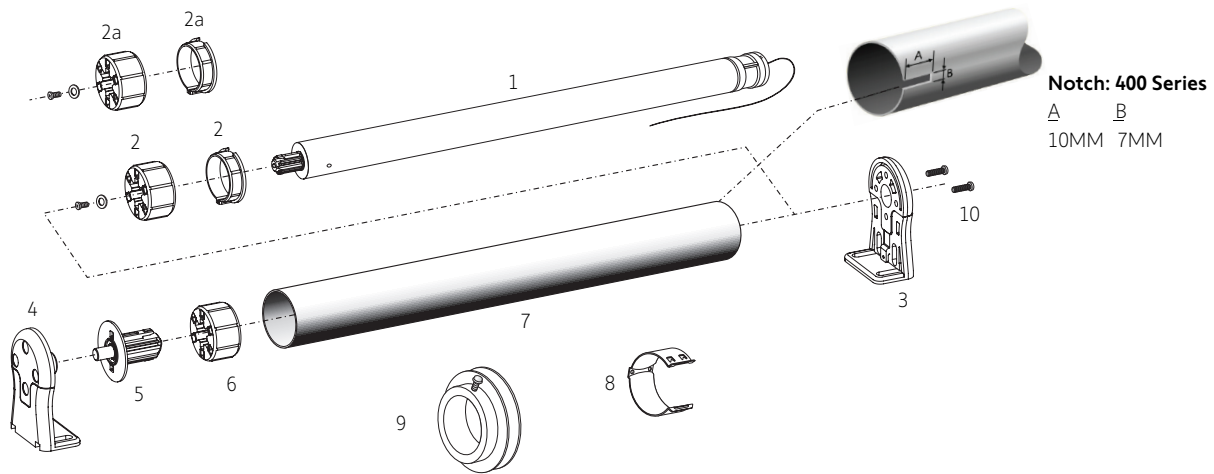
## Product Chart

Image	Description	Catalog Number
14	Intermediate Bracket & Cover Kit 40p, 0-90 Degrees (Acmeda® Type)	9013787
15	Intermediate Male Idler End Plug (Acmeda® Type)	9013786
16	Intermediate Bracket & Cover Kit 40p (Acmeda® Type)	9013783
17	Intermediate Female Idler End Plug (Acmeda® Type)	9013785

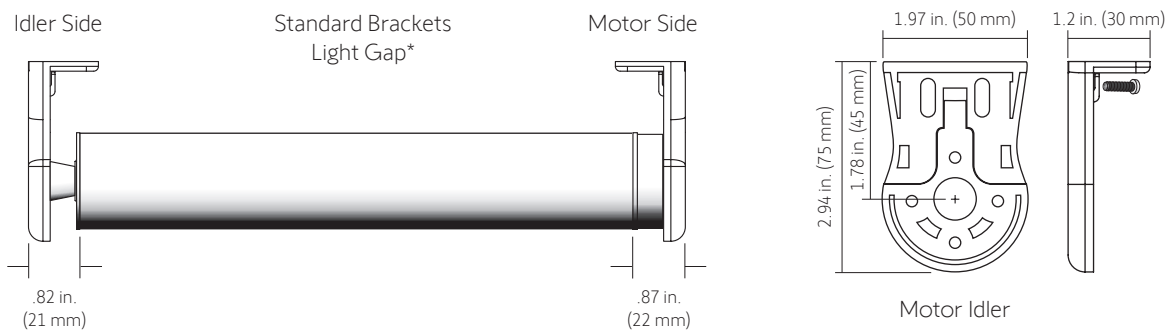
# 40mm WireFree Hardware Systems

## Somfy Decorator Type

### Standard Bracket Components



### Dimensions and Light Gap Specifications



\*Dimensions for reference only and may differ depending on Mfg. product changes, installation, etc.

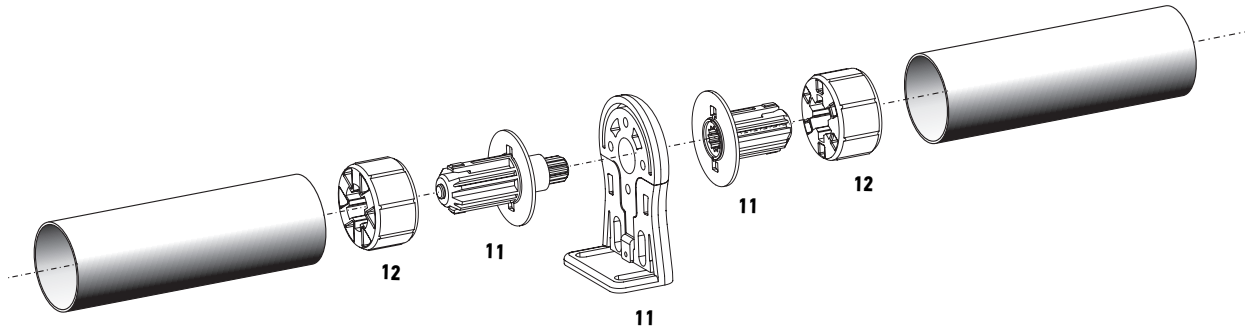
### Product Chart

Image	Description	Catalog Number
1	Sonessé® 40 WireFree RTS (Li-ion)	1240485
2	Crown and Drive (Somfy 40mm x 1.5mm Round Tube)	9012224
2A	Crown and Rubberized Drive (Somfy 40mm x 1.5mm Round Tube)	9016654
3	Motor Bracket (Decorator Type)	9500683
4	Idler End Bracket (Decorator Type)	9500685
5	Idler End Plug (8mm Dia. Pin-Decorator Type)	9500688
6	40mm Round Drive only (for use with Idler End Plug)	9147544
7	Somfy 40mm Round Tube (20 ft. Max Length)	1781153
8	40mm Fabric/Cord Clip for Roman Shade Applications	9012200
9	Cord Take-Up Reel (40mm Tube)	1781152
10	M3.5 x 9mm Screws	9014066

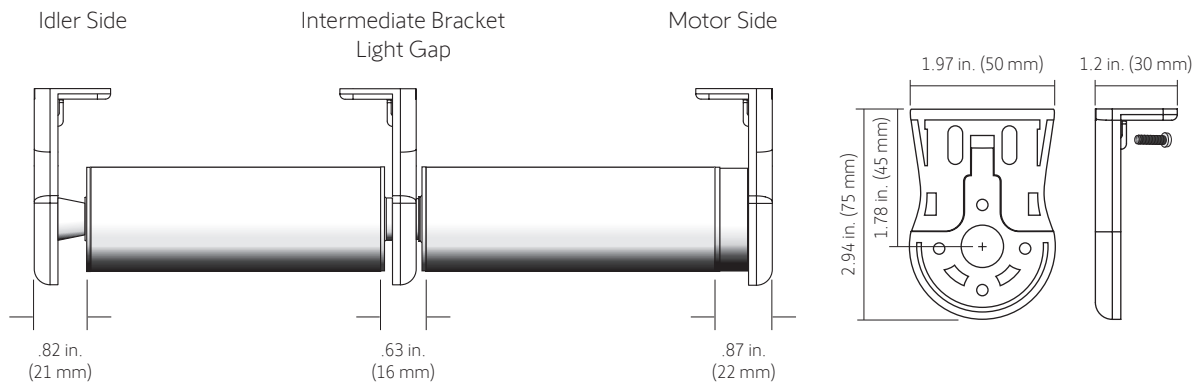
# 40mm WireFree Hardware Systems

## Somfy Decorator Type

### Standard Bracket Components



### Dimensions and Light Gap Specifications



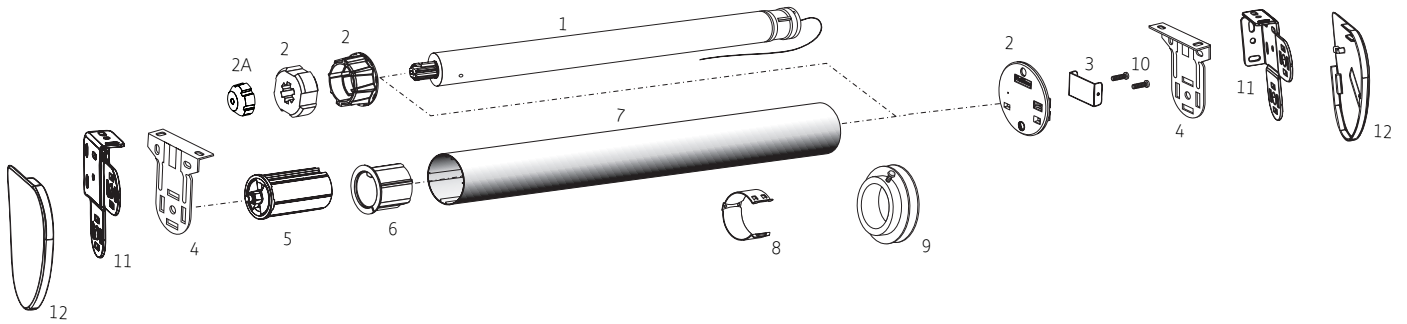
### Product Chart

Image	Description	Catalog Number
11	Intermediate Bracket Kit (Decorator Type)	9500687
12	40mm Round Drive only (for use with Int. Bracket)	9147544

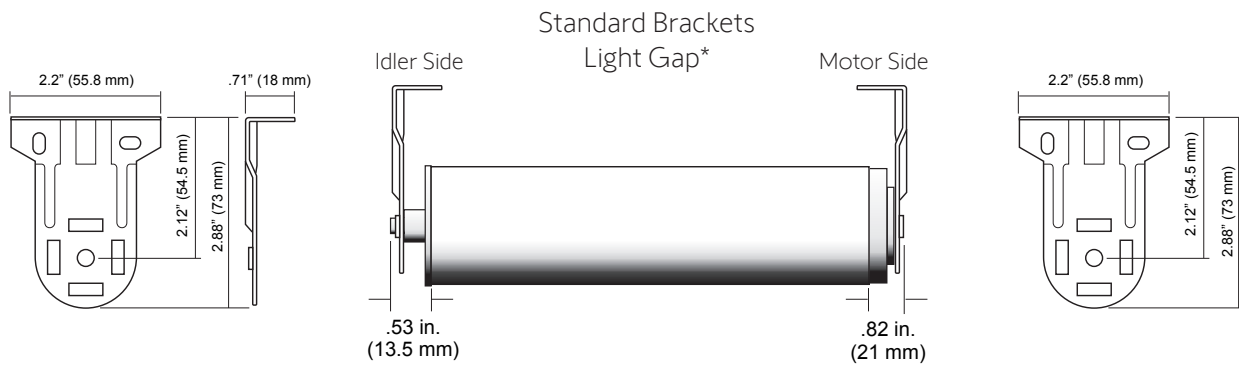
# 40mm WireFree Hardware Systems

## RollEase® Skyline

### Standard Bracket Components



### Dimensions and Light Gap Specifications



\*Dimensions for reference only and may differ depending on Mfg. product changes, installation, etc.

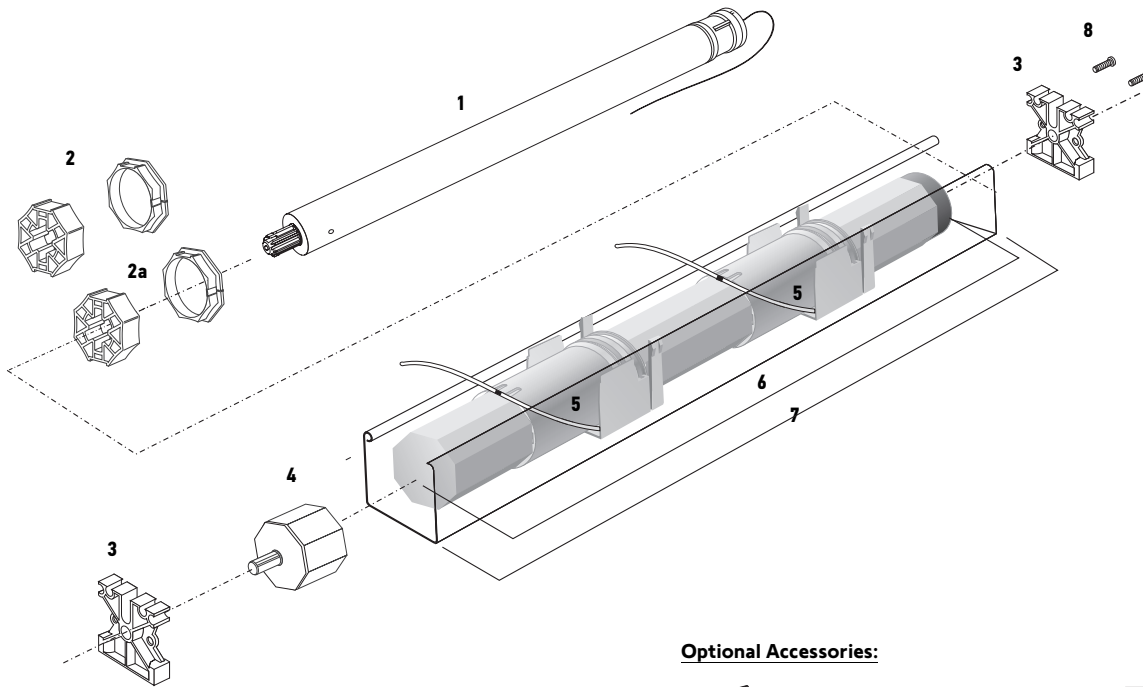
### Product Chart

Image	Description	Catalog Number
1	Sonesse® 40 WireFree RTS (Li-ion)	1240485
2	Crown and Drive with Skyline Motor Mount Plate	9016352
2A	400 Series Drive Stop with Screw	9147894
3	Silent Motor Mount Clip for SkyLine Bracket	9017255
4	RollEase® Skyline Series Brackets 2"	9016325
5	RollEase® Skyline Series Idler End Plug	5059165
6	Idler Adaptor Collar 2" Profile Tube	9016366
7	2" Profiled Tube	1781798
8	Cord Clips for Roman Shade Applications 2" Tube	9138028
9	Take-Up Reel - RollEase 2" Tube	1781151
10	M3.5 x 9mm Screws	9014066
11	RollEase® Double Bracket	9016616
12	RollEase® Double Bracket Covers	9017267

# 40mm WireFree Hardware Systems

## Somfy CTS 40

### Cord Take-Up System (CTS)



#### Optional Accessories:



- 1781134 - 2" Slat Clips for Wood Blinds (White)
- 1781135 - 2" Slat Clips for Wood Blinds (Ivory)
- 1781136 - 2" Slat Clips for Wood Blinds (Brown)



- 1781133 - Ladder Crimp

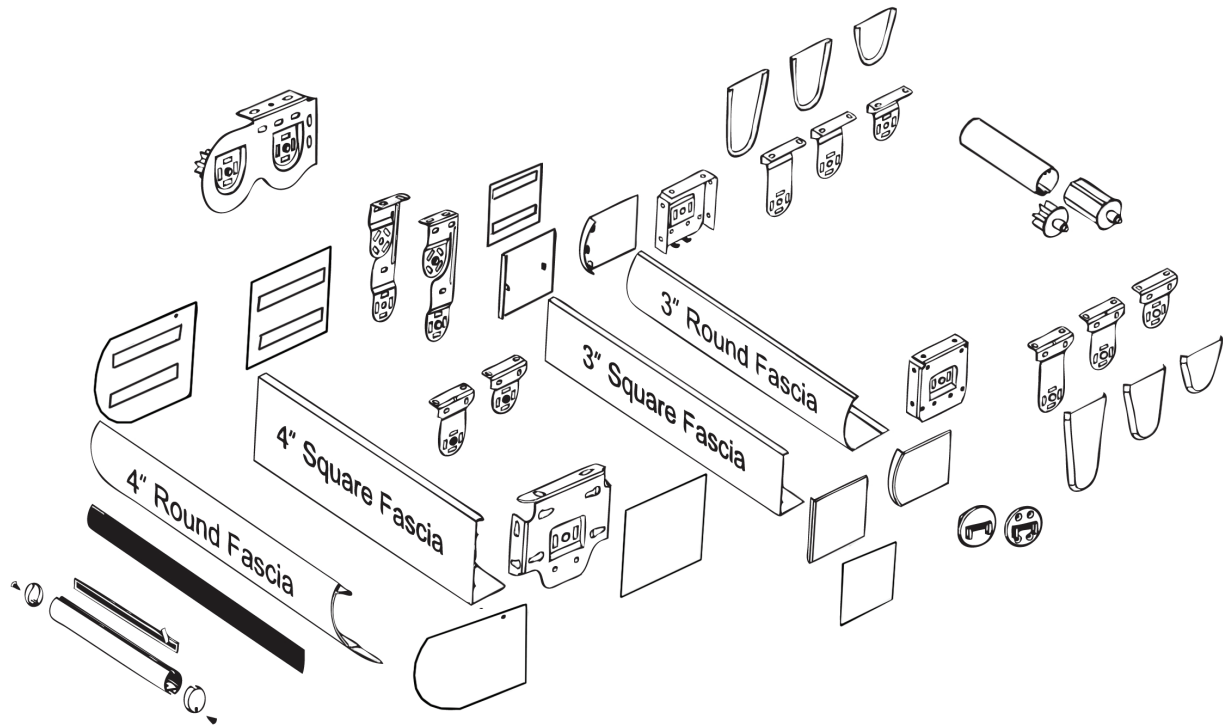
### Product Chart

Image	Description	Catalog Number
1	Sonesse® 40 WireFree RTS (Li-ion)	1240485
2	Crown and Drive Kit (40mm Octagonal Tube)	9012225
2A	Crown and Rubberized Drive Kit (40mm Octagonal Tube)	9016655
3	Motor / Idler Bracket (for 57mm x 51mm Headrail)	9500736
4	Idler End Plug for 40mm Octagonal Tube	9012274
5	CTS 40 (for 57mm x 41mm Headrail)	1781118
6	Somfy 40mm Octagonal Tube (20 ft. Max Length)	1781154
7	57mm x 51mm (2" x 2 1/4") Gutter Rail Or Similar	Contact Manufacturer
8	M3.5 x 9mm Screws	9014066

# Bracket, Fascia, and Cassette Solutions

RollEase®

## Skyline™ Bracket and Fascia Accessories

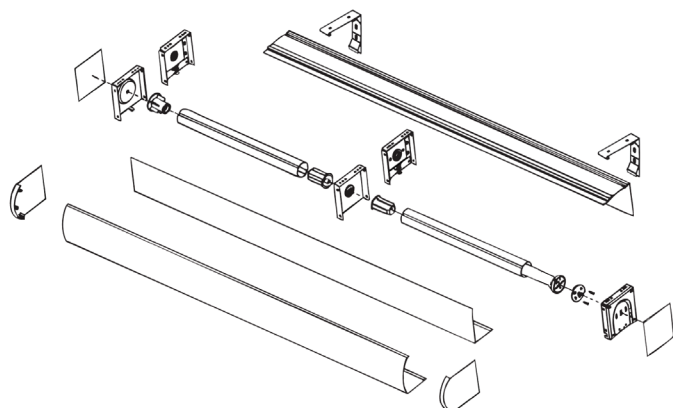


Please Note: for maximum torque limitations please refer to manufacturer's specifications

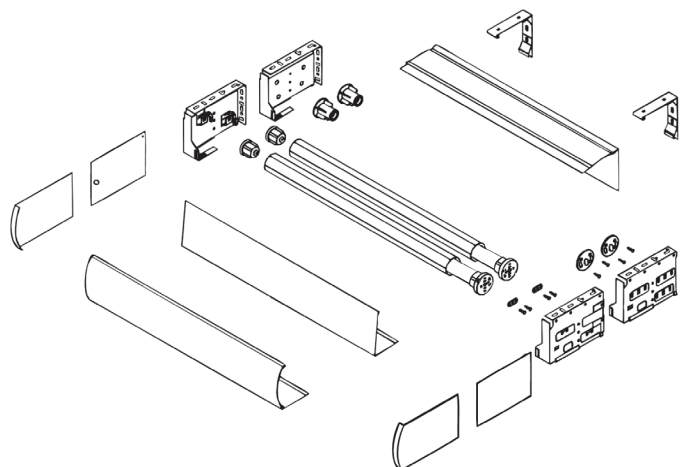
# Bracket, Fascia, and Cassette Solutions

ZMC®

## Intermediate Bracket Solutions



## Duo Shade Fascia Components





# 40mm WireFree Mechanical Accessories

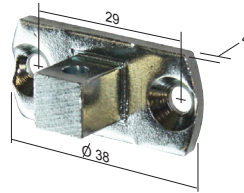
## 400 Series

### 400 Series to 500 Series Adaptor Kit



- Allows the use of 500 Series crowns and drives with 400 Series motors
  - Black composite
  - Maximum motor torque - 13 Nm
- Part #9013763

### 400 Series "LO" Bracket w/ a Square Stud



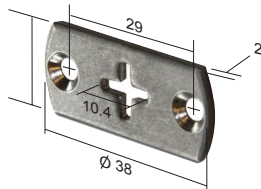
- Motor mounting screws included
  - 10mm square stud
  - Zinc plated steel
  - Maximum motor torque 13 Nm
- Part # 9147334

### 400 Series Drive Stop w/ Screw



- Prevents drive disengagement from 400 series motor shaft
  - 1 screw included
- Part #9147894

### 400 Series Motor Bracket



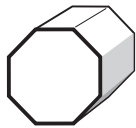
- Compatible with RollEase Bracket
  - Stainless steel
  - Maximum motor torque - 4 Nm
- Part #9012258\*  
\*to be used with M3.5x8MM screw

### 400 Series to 500 Series Mounting Conversion Bracket



- White composite
  - Allows 400 Series WFmotors to be used w/ 500 Series Star Head motor brackets
  - Maximum motor torque - 9 Nm
  - 2 screws included
- Part #9027508

## Crowns and Drives



400 Series Crown for 40 x 0.8mm Octagonal Tube  
Part #9147327

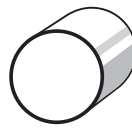


400 Series Drive for 40 x 0.8mm Octagonal Tube  
Part #9147545

400 Series 40mm Octagonal Set  
Part #9012225



NEW 400 Series Crown and Rubberized Drive for 40mm Octagonal Tube  
Part #9016655\*



400 Series Crown for 40 x 1.5mm Round Tube  
Part #9147330



400 Series Drive for 40 x 1.5mm Round Tube  
Part #9147544

400 Series 40mm Round Set  
Part #9012224



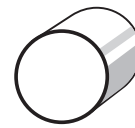
Crown Adaptor 44mm Tube (Acmeda Type)  
Part #9013791



Soft Drive Wheel 44mm (Acmeda Type)  
Part #9013790



NEW 400 Series Crown and Rubberized Drive for 40mm x 1.5mm Round Tube  
Part #9016654\*



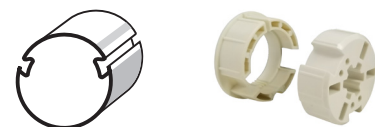
400 Series Crown for 40 x 1.5mm Round Tube  
Part #9147330



400 Series Drive for 40 x 1.5mm Round Tube  
Part #9147544



Crown & Drive for Rollease/ZMC 2" Profiled Tube  
Part #9016352\*



400 Series Crown and Drive for HD 4"Silhouette\*(Quartette™)  
Part #9016953\*

\*Due to material composition it is recommended to apply a silicon-based lubricant to drive adaptor surface prior to motorized roller tube assembly. 400 Series drive stop with screw (part #9147894) should also be used to prevent drive disengagement during installation or removal.

# Cord Lift 25 WireFree™ Zigbee (External Battery)

Item #: 1241780



Somfy  
DESIGNED FOR  
SILENCE



## Applications



Cellular  
Shades



Pleated  
Shades



Roman  
Shades



Woven  
Wood

## Technical Features

<b>Voltage Supply</b>	12V DC
<b>Index Protection Rating</b> (interior use only)	IP 20
<b>Limit Switch Type</b>	Electronic

**Temperature Working Range** 32°F to 140°F (0°C to 60°C)

**Insulation Class** Class III

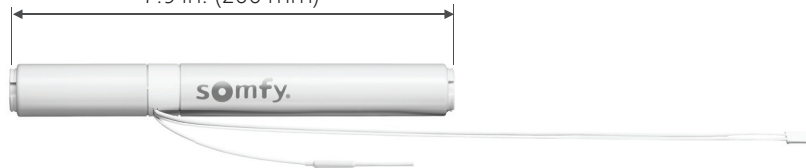
**Antenna** 12 cm wire length, must not be cut or lengthened. For greatest RF range, must be exposed and should not come in contact with metal surfaces. RF wire may need to be repositioned for optimal performance.

## Dimensions

.95 in. (24 mm)



7.9 in. (200 mm)



## Specifications

<b>Nominal Torque</b>	0.8 Nm
<b>Nominal Speed</b>	30 rpm
<b>Adjustable Speed</b>	18-30 by increment of 1 rpm
<b>Radio Protocol</b>	Zigbee 3.0 / Bluetooth 4.2
<b>Radio Frequency</b>	2.4 GHz
<b>Battery Type</b>	12V 2600mAh (external Lithium-ion)
<b>Battery Autonomy</b>	Only recharge once per year*
<b>Charging Time</b>	< 4 to 5 Hrs.
<b>Low Battery Indicator</b>	LED (on motor head)

## Certifications



\*Based on average shade size and one cycle per day

# Cord Lift WireFree™ RTS (External Battery)

Item #: 1003294



Somfy  
DESIGNED FOR  
SILENCE



Radio Technology Somfy®  
Offers control via  
Radio Technology  
Somfy® (RTS)



## Applications



Cellular  
Shades



Pleated  
Shades



Roman  
Shades



Woven  
Wood



Horizontal  
Blinds\*

\* When used with Somfy CTS25

## Technical Features

**Voltage Supply** 12V DC

**Index Protection Rating** IP 20  
(interior use only)

**Limit Switch Type** Electronic

**Temperature Working Range** 32°F to 140°F (0°C to 60°C)

**Insulation Class** Class III

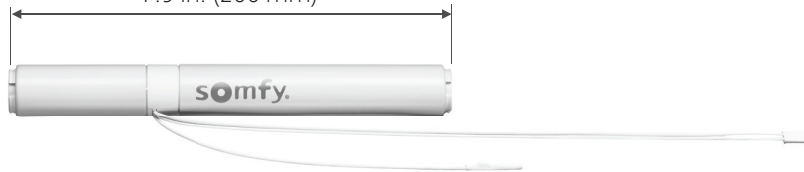
**Antenna** 15cm RF antenna wire must be positioned outside of headrail and should not come in contact with metal surfaces for greatest RF range. RF wire may need to be repositioned for optimal performance. Antenna wire must not be cut.

## Dimensions

.95 in. (24 mm)



7.9 in. (200 mm)



## Specifications

<b>Nominal Torque</b>	0.8 Nm
<b>Nominal Speed</b>	30 rpm
<b>Adjustable Speed</b>	18-30 by increment of 1 rpm
<b>Radio Protocol</b>	RTS
<b>Radio Frequency</b>	433.42 MHz
<b>Battery Type</b>	12V 2600mAh (external Lithium-ion)
<b>Battery Autonomy</b>	Only recharge once per year*
<b>Charging Time</b>	4.5 Hrs.
<b>Low Battery Indicator</b>	LED (on motor head)

\*Based on average shade size and one cycle per day

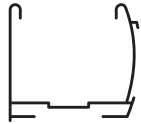


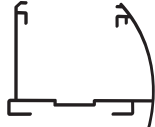
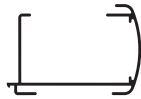


## Certifications



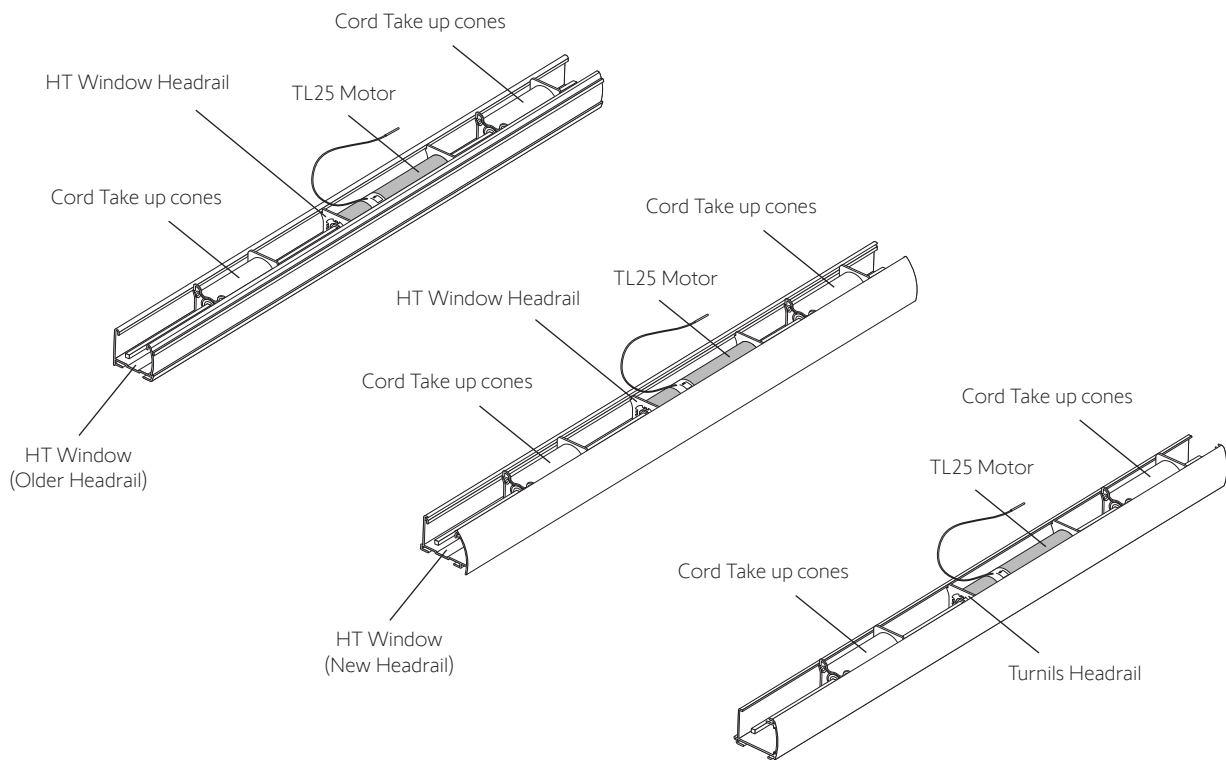
# Cord Lift WireFree™ TL25

## Hardware Systems and Accessories

### TL25 Cord Lift Systems

System Type	Headrail Profile	Headrail Adaptors	Shaft Adaptors
HT Window (Older Version)			
HT Window (New Version)		Headrail Adaptors for HT Window 9026429	Shaft Adaptor Turnils 9026430
Turnils			
		Headrail Adaptor for Turnils 9026427	Shaft Adaptor HT Window 9026428

\*Contact your local fabricator/distributor for complete products.



# Cord Lift WireFree™ CL32 RTS

Item #: 1002422



Offers control via Radio Technology Somfy® (RTS)



## Applications



Cellular Shades



Pleated Shades



Roman Shades

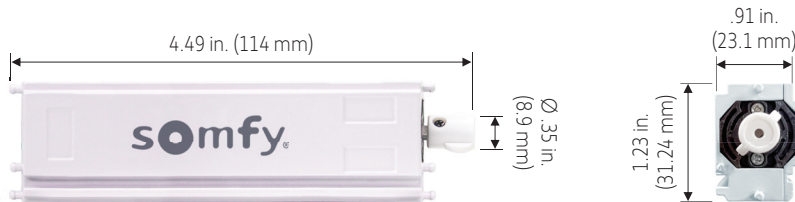
## Technical Features

<b>Voltage Supply</b>	DC
<b>Index Protection Rating</b>	IP 20
<b>Limit Switch Type</b>	Electronic

<b>Temperature Working Range</b>	32°F to 140°F (0°C to 60°C)
<b>Insulation Class</b>	Class III

**Antenna** 15cm, wire length, must not be cut or lengthened. for greatest RF range, must be exposed and should not come in contact with metal surfaces. RF wire may need to be repositioned for optimal performance.

## Dimensions



## Specifications



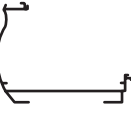

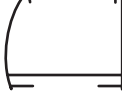

<b>Nominal Torque</b>	0.34 Nm
<b>Nominal Speed</b>	68 rpm
<b>Radio Protocol</b>	RTS
<b>Radio Frequency</b>	433.42 MHz
<b>Battery Type</b>	12V 2600mAh (external Lithium-ion)
<b>Battery Autonomy</b>	Only recharge once per year*
<b>Charging Time</b>	4.5 Hrs.

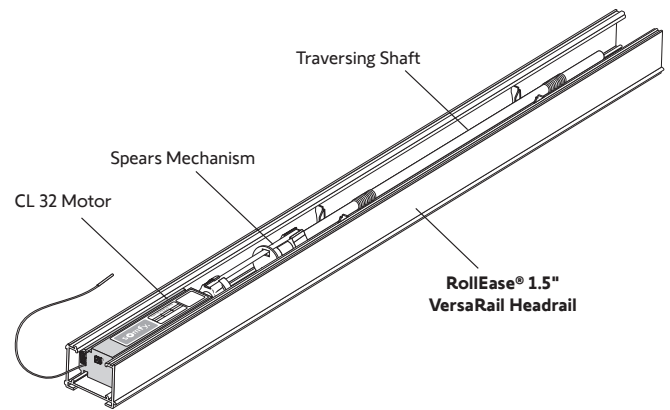
\*Based on average shade size and one cycle per day

# Cord Lift WireFree™ CL32 RTS

## Hardware Systems and Accessories

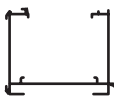
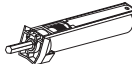


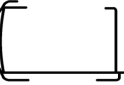







### CL32 Traversing Shaft Systems

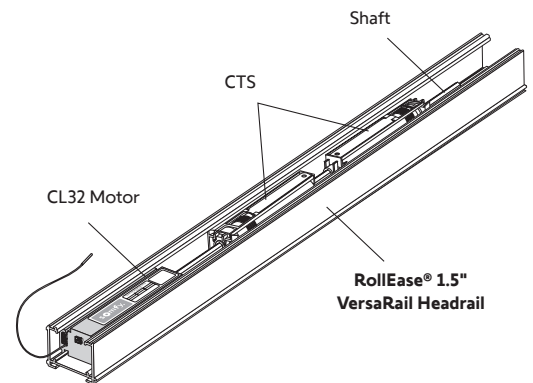
System Type	Headrail Profile	Headrail Adaptors	Shaft Adaptor
Rollease® 1.5" VersaRail		Not Required	 9013283 Spears Shaft Adaptor
*Graber®/Bali® EasyUp		 9013288	Available through Springs Window Fashions only
*Levolor/Kirsch Accordia (cord loop)		Available through Kirsch/Levolor only	 9013283 Spears Shaft Adaptor



\*Contact your local distributor/retailer for complete products.

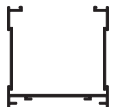


### CL32 (CTS) Cone Systems

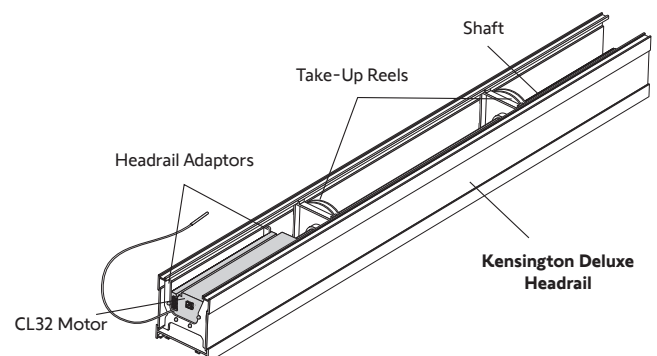
System Type	Headrail Profile	Headrail Adaptors	CTS (Cord Take-Up)	Shaft Type	Shaft Adaptor
Rollease® 1.5" VersaRail		Not Required	 9012503* Somfy CTS 5mm Hex	 5mm Hex	 9012105
Comfortex/ Turnils Global Headrail		 9015900	Available through Comfortex/ Turnils	 "V" Notch	 9015899
Blinds to Go (Smartlift) HT Window Fashions (Clutch)		 9017148	Available through Blinds To Go & HT Window Fashions	 4mm Square	 9013269



\*Special order contact Somfy.

### CL32 (CTS) Take-Up Reel Systems

System Type	Headrail Profile	Headrail Adaptors	Shaft Adaptor
Kensington Deluxe		 9013443 Headrail Adaptor For Kensington Deluxe Cord Loop	 9013284 Tape Reel Shaft Adaptor





# Tilt 50 WireFree™ Through-Shaft Zigbee (External Battery)

Item #: 1241783



## Applications



Horizontal Blinds

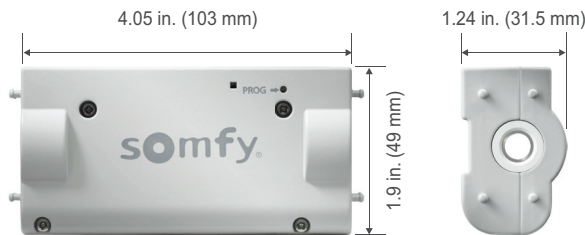
## Technical Features

<b>Voltage Supply</b>	12V DC
<b>Index Protection Rating</b>	IP 20 (for indoor use only)
<b>Limit Switch Type</b>	Electronic

<b>Temperature Working Range</b>	32°F to 140°F (0°C to 60°C)
<b>Insulation Class</b>	Class III

**Antenna** 12 cm wire length, must not be cut or lengthened. For greatest RF range, must be exposed and should not come in contact with metal surfaces. RF wire may need to be repositioned for optimal performance.

## Dimensions



## Specifications

<b>Nominal Torque</b>	1 Nm
<b>Nominal Speed</b>	10 rpm
<b>Adjustable Speed</b>	5-10 by increment of 1 rpm
<b>Radio Protocol</b>	Zigbee 3.0 / Bluetooth 4.2
<b>Radio Frequency</b>	2.4 GHz
<b>Battery Type</b>	12V 2600mAh (external Lithium-ion)
<b>Battery Autonomy</b>	Only recharge once per year*
<b>Charging Time</b>	< 4 to 5 Hrs.

## Certifications



\*Based on average blind size and one cycle per day

# Tilt Only 50 WireFree™ RTS Through Shaft

Item #: 1240276



Offers control via Radio Technology Somfy® (RTS)



## Applications



Horizontal Blinds

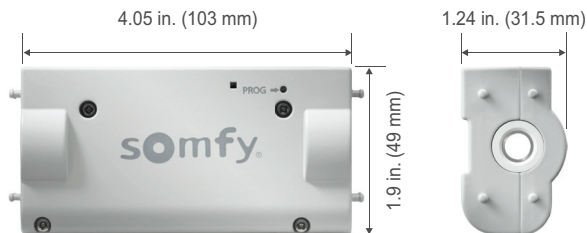
## Technical Features

<b>Voltage Supply</b>	12V DC
<b>Index Protection Rating</b>	IP 20 (for indoor use only)
<b>Limit Switch Type</b>	Electronic

<b>Temperature Working Range</b>	32°F to 140°F (0°C to 60°C)
<b>Insulation Class</b>	Class III

**Antenna** 17.5cm wire length, must not be cut or lengthened. For greatest RF range must be exposed and should not come in contact with metal surfaces. RF wire may need to be repositioned for optimal performance.

## Dimensions



## Specifications

<b>Nominal Torque</b>	1 Nm
<b>Nominal Speed</b>	10 rpm
<b>Adjustable Speed</b>	5-10 by increment of 1 rpm
<b>Radio Protocol</b>	RTS
<b>Radio Frequency</b>	433.42 MHz
<b>Battery Type</b>	12V 2600mAh (external Lithium-ion)
<b>Battery Autonomy</b>	Only recharge once per year*
<b>Charging Time</b>	4.5 Hrs.

## Certifications



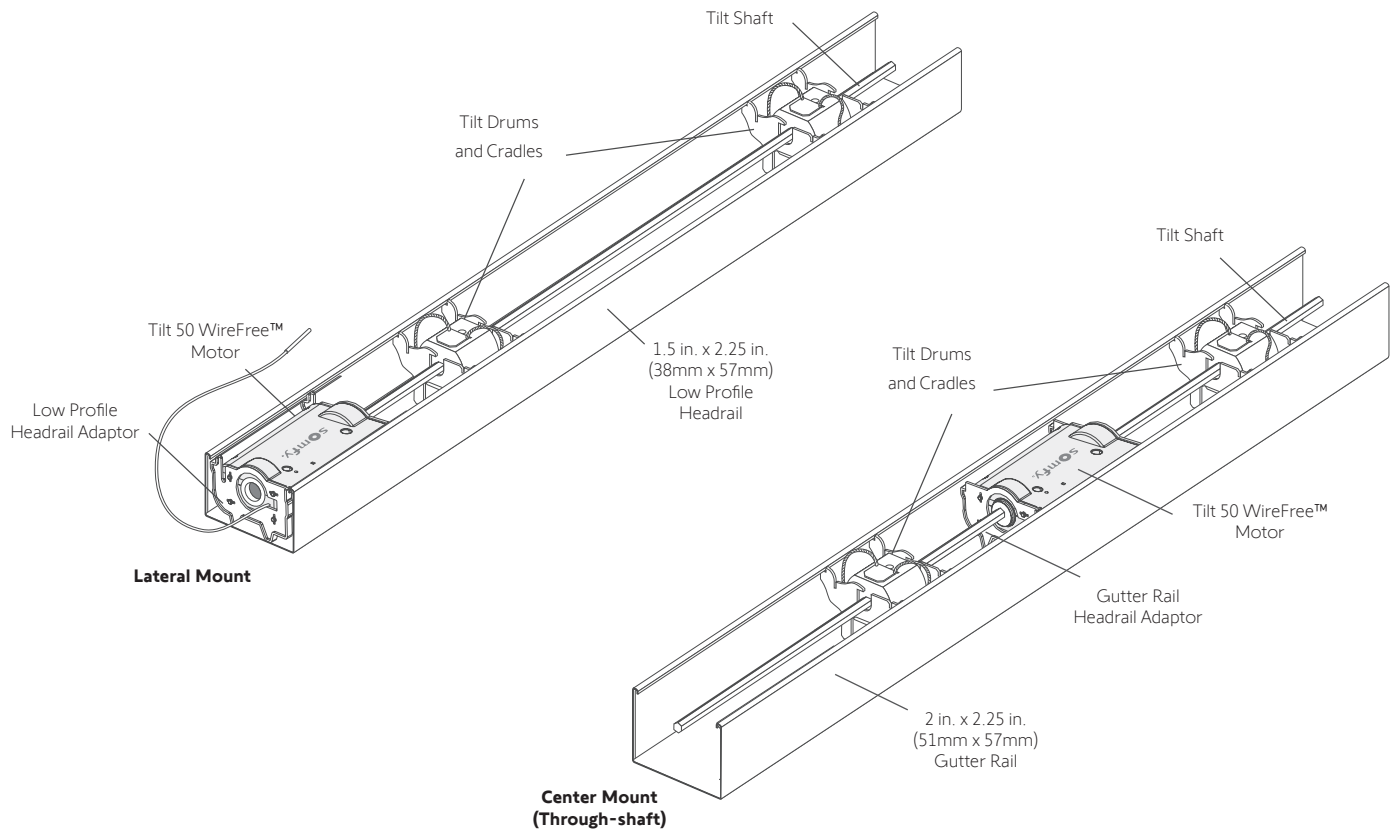
\*Based on average blind size and one cycle per day

# Tilt 50 WireFree™ RTS

## Hardware Systems and Accessories

System Type	Headrail Profile	Headrail Adaptors	Shaft Adaptors*		
1.5 in. x 2.25 in. (38mm x 57mm) Low Profile Headrail		 Headrail Adaptor for Decora Sun Headrail 9025739	 6mm Hexagonal Shaft Adaptor 9025928	 5.5mm Hexagonal Shaft Adaptor 9025929	 5mm Hexagonal Shaft Adaptor 9025930
1.5 in. x 2.25 in. (38mm x 57mm) Low Profile Graber®/Bali® (SureClose™)		 Low Profile Headrail Adaptor 9025743	 6mm Square Shaft Adaptor 9025931	 6.4mm Square Shaft Adaptor 9025932	 4mm Square Shaft Adaptor 9027060
2 in. x 2.25 in. (51mm x 57mm) Gutter Rail		 Gutter Headrail Adaptors 9025742	 D Shaft Adaptor 9027062		

\*Shaft adaptor colors may vary



# WireFree Controls

## Zigbee Technology



### TaHoma® Switch

### Ysia

### Smart Plug



TaHoma® switch  
1871037



TaHoma® switch Ethernet Adaptor  
9028054



Ysia 1 Zigbee  
1871153



Ysia 5 Zigbee  
1871154



Smart Plug Zigbee  
1871217

TaHoma® switch  
(with ethernet adaptor)  
1871038

## Radio Technology Somfy® (RTS)



### Situo & Telis Collections



Situo® 1 RTS  
Pure Single  
Channel Remote  
1870571



Situo® 5 RTS  
Pure Five  
Channel Remote  
1870575



Situo® 1 RTS  
Iron Single  
Channel Remote  
1870572



Situo® 5 RTS  
Iron Five  
Channel Remote  
1870576



Situo® 1 RTS  
Natural Single  
Channel Remote  
1870573



Situo® 5 RTS  
Natural Five  
Channel Remote  
1870577



Situo® 1 RTS  
Arctic Single  
Channel Remote  
1870574



Situo® 5 RTS  
Arctic Five  
Channel Remote  
1870578



Situo® 5 RTS  
Soliris Five  
Channel Remote  
1870579



Situo® 5 RTS  
Variation Five  
Channel Remote  
1811612



Telis 1 RTS Patio  
Single Channel  
Remote  
1810643



Telis 4 RTS Patio  
Five Channel  
Remote  
1810645



Telis 16 Channel RTS  
Pure Remote with  
On-screen display  
1811081



Telis 16 Channel RTS  
Silver Remote with  
On-screen display  
1811082



Telis 1 Chronis RTS  
Pure Timer with  
On-screen display  
1805237

NOTE: for additional information regarding Zigbee® or RTS controls, contact Somfy Systems, Inc.

# WireFree Controls

## Radio Technology Somfy® (RTS)



### DecoFlex WireFree™ Wall Switches



DecoFlex 1 Channel RTS WireFree™ Wall Switch



DecoFlex 2 Channel RTS WireFree™ Wall Switch



DecoFlex 3 Channel RTS WireFree™ Wall Switch



DecoFlex 4 Channel RTS WireFree™ Wall Switch



DecoFlex 5 Channel RTS WireFree™ Wall Switch

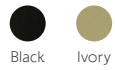


DecoFlex WireFree™ 3-Button White 1870908



DecoFlex WireFree™ Surface 5 Channel White 1871025

- Wall Switches shown in white. Also available in black and ivory finishes.
- Shown assembled with printed channel buttons.
- Custom engraved buttons are also available.



- Wall Switches only available in white.

### Table Top Accessories



DecoFlex WireFree™ RTS Table Top Accessory Black 1811051\*



DecoFlex WireFree™ RTS Table Top Accessory Silver 1810972\*



DecoFlex WireFree™ RTS Table Top Accessory White 1811185\*

\*DecoFlex Switch sold separately from Table Top Accessory.

### Smoove® Wall Switch



Smoove® 1 RTS Pure 1811533



Smoove® 4 RTS Pure 1811748

- Battery-operated convenience
- Surface mounts with ease
- Frames available in 7 colors



Contact Somfy for more information.

### RTS Repeater



RTS Repeater (extends RTS range) 1810791

### TaHoma®



TaHoma® RTS Smartphone & Tablet Interface 1811731



TaHoma Ethernet Adaptor 1870470

### 16 Channel RTS Interface



Universal RTS Interface 16-Channel (Converts IR, RS232, RS485 to RTS) 1810872

### Dry Contact

### DRY CONTACT



RTS Dry Contact Interface Single Channel 1810493

NOTE: for additional information regarding Zigbee® or RTS controls, contact Somfy Systems, Inc.

# WireFree Power Accessories

## Power Accessories

### Li-ion Solar Panel Kit



9027294

(Includes: Solar panel, 4 panel mounting brackets and glass mount adhesive)

- For use with V2 Li-ion Motors
- For use with all external battery motors using rechargeable Li-ion Battery Pack #9021217

### Rechargeable Li-ion Battery Pack



9021217

- For use with all external Zigbee and RTS battery motors
- For use with battery charger #9025166

### Lithium-ion Charger



9025166

- For use with V2 Li-ion motors (Zigbee and RTS)
- For use with Rechargeable Li-ion Battery Pack #9021217

### Li-ion Charging Extension Cable



9021131  
8" Extension Cable

- For use with V2 Li-ion motors
- For use with Rechargeable Li-ion Battery Pack #9021217

### Magnetic Adaptor



9028562

- For use with 9028560 Magnetic Rigid Cable. Compatible with all Zigbee & RTS Motors and Li-ion battery pack #9021217

### Magnetic Rigid Cable



9028560

- For use with 9028562 Magnetic adaptor. Compatible with all V2 Li-ion Motors and Li-ion battery pack #9021217

### Single 12V DC Reloadable Battery Tube



9018685

- For use with all external battery motors
- Requires 8 AA lithium-ion batteries #9014834

### 8 AA Lithium Battery Package Tubes



9014834

- For use with Reloadable Battery Tube #9018685

### Dual 12V DC Reloadable Battery Tube "Y" Harness



9018625

Used to connect (2) 12V DC Reloadable Battery Tubes #9018685

### Battery/Power Extension Cables



10" - 9018623



48" - 9016736



96" - 9018624

for use with all external Zigbee and RTS motors  
for use with Li-ion Battery Pack #9021217  
for use with Reloadable Battery Tube #9018685

### 12V DC Plug-In Power Supply



1870940

for use with all external battery motors  
Eliminates use of batteries

## Power Hardware Accessories

### Replacement Mounting Clips for Battery Tube



9013263

Included with Reloadable Battery Tube #9018685

### Solar Panel Mounting Bracket Kit



9015897

Included with Li-ion Solar Panel Kit #9027294

### Replacement Mounting Clips for Li-ion Battery Pack



9027701

Included with Li-ion Battery Pack #9021217



**DECOFLEX WIREFREE™ SURFACE 5 CHANNEL BUTTON ENGRAVING FORM**

<https://www.somfypro.com/DecoFlex-custom-button>

Customer Name: \_\_\_\_\_ Customer #: \_\_\_\_\_

**SHIPPING**

**Shipping Information**

Ship to: Default Shipping Address      Drop Ship  
 Name: \_\_\_\_\_  
 Address: \_\_\_\_\_  
 City: \_\_\_\_\_ State: \_\_\_\_ Zip: \_\_\_\_\_  
 Phone: \_\_\_\_\_

**Project Information**

Project Name: \_\_\_\_\_  
 Installer Name/Company: \_\_\_\_\_  
 P/O #: \_\_\_\_\_ Order #: \_\_\_\_\_  
 Area: \_\_\_\_\_  
 Room: \_\_\_\_\_

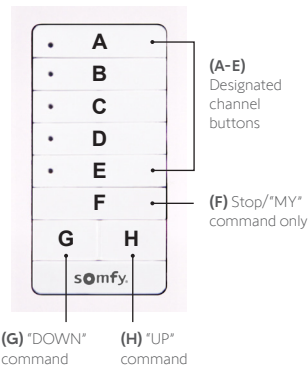
*\*(F): Command Button by default is labeled STOP on the DecoFlex Range of keypads.  
 G and H buttons by default are labeled as follows:  
 - G = down icon  
 - H = up icon*

*If you prefer they can be substituted with an associated command NAME (UP, DOWN, LOWER, etc.) up to 5 characters.*

**ENGRAVING OPTIONS**

Buttons (A-F) 9 Characters Maximum (including spaces)	QTY.
A	
B	
C	
D	
E	
F	
G	
H	

**DecoFlex WireFree™ Surface 5 Channel #1871025**



**Engraving Options** - Default option will be used if nothing is selected.

Character Types:      ALL LETTERS CAPITALIZED (Default)      First Letters Capitalized      As written in above section  
 (choose one)

Payment terms of your account will apply. All engraved wall plates are custom made and are non-cancellable. Please send form to: Fax # (609) 495-8117 or e-mail to: Ordering\_us@somfy.com

New Jersey  
 121 Herrod Blvd.  
 Dayton, NJ 08810  
 T: (609) 395-1300  
 F: (609) 395-1776

**Somfy Systems, Inc.**  
**T: (800) 22-SOMFY**  
**www.somfypro.com**  
 Florida  
 1200 SW 35th Ave.  
 Boynton Beach, FL 33426  
 T: (561) 995-0335  
 F: (561) 995-7502

California  
 15301 Barranca Parkway  
 Irvine, CA 92618-2201  
 T: (949) 727-3510  
 F: (949) 727-3775

**Somfy ULC**  
**T: (800) 66-SOMFY**  
**www.somfypro.ca**  
 6411 Edwards Blvd  
 Mississauga, ON L5T 2P7  
 CN: (800) 66-SOMFY  
 F: (905) 564-6446





**DECOFLEX KEYPAD BUTTON ENGRAVING FORM**

<https://www.somfypro.com/decoflex-custom-button>

<https://www.somfypro.ca/decoflex-custom-button>

Customer Name: \_\_\_\_\_ Customer #: \_\_\_\_\_

**SHIPPING**

**Shipping Information**

Ship to: Default Shipping Address      Drop Ship  
 Name: \_\_\_\_\_  
 Address: \_\_\_\_\_  
 City: \_\_\_\_\_ State: \_\_\_\_\_ Zip: \_\_\_\_\_  
 Phone: \_\_\_\_\_

**Project Information**

Project Name: \_\_\_\_\_  
 Installer Name/Company: \_\_\_\_\_  
 P/O #: \_\_\_\_\_ Order #: \_\_\_\_\_  
 Area: \_\_\_\_\_  
 Room: \_\_\_\_\_

**STYLE**

**Button Color:**

White	Ivory	Black
#9018529	#9018260	#9018261

**Switch Type:**

RTS	Dry Contact
	<i>Available in White only.</i>
Somfy Digital Network (SDN) RS485	
<i>Including the SDN Group Keypad. Available in White only.</i>	

**ENGRAVING OPTIONS**

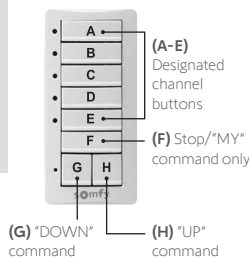
**Buttons (A-F)**  
 9 Characters Maximum (including spaces)      QTY.

A									
B									
C									
D									
E									
F									
G									
H									

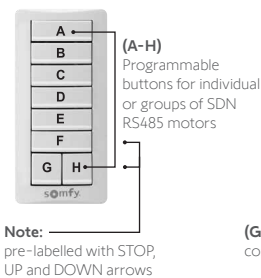
*\*(F): Command Button by default is labeled STOP on the DecoFlex Range of keypads.  
 G and H buttons by default are labeled as follows:  
 (G = down icon) WHITE - #9018263 IVORY - #9018264 BLACK - #9018265  
 (H = up icon): WHITE - #9018267 IVORY - #9018268 BLACK - #9018269*

*If you prefer they can be substituted with an associated command NAME (UP, DOWN, LOWER, etc.) up to 5 characters.*

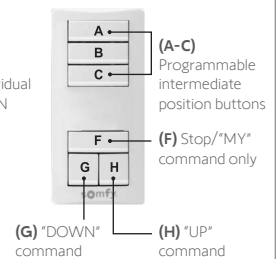
**DecoFlex RTS**



**DecoFlex SDN (Standalone or Group)**



**DecoFlex Dry Contact**



**Engraving Options** - Default option will be used if nothing is selected.

Character Types:      ALL LETTERS CAPITALIZED (Default)      First Letters Capitalized      As written in above section  
 (choose one)

Payment terms of your account will apply. All engraved wall plates are custom made and are non-cancellable. Please send form to: Fax # (609) 495-8117 or e-mail to: Ordering\_us@somfy.com

New Jersey  
 121 Herrod Blvd.  
 Dayton, NJ 08810  
 T: (800) 22-SOMFY  
 F: (609) 395-1300

**Somfy Systems, Inc.**  
 T: (800) 22-SOMFY  
 www.somfypro.com  
 Florida  
 1200 SW 35th Ave.  
 Boynton Beach, FL 33426  
 T: (877) 22-SOMFY  
 F: (561) 995-7502

California  
 15301 Barranca Parkway  
 Irvine, CA 92618-2201  
 T: (877) 72-SOMFY  
 F: (949) 727-3510

**Somfy ULC**  
 T: (800) 66-SOMFY  
 www.somfypro.ca  
 6411 Edwards Blvd  
 Mississauga, ON L5T 2P7  
 CN: (800) 66-SOMFY  
 F: (905) 564-6446



### SMOOVE® WIRELESS WALL SWITCHES

#### Custom Engraving Order Form

Available for Pure frames only

Customer Name: \_\_\_\_\_ Customer #: \_\_\_\_\_

SHIPPING

#### Shipping Information

Ship to: Default Shipping Address      Drop Ship  
Name: \_\_\_\_\_  
Address: \_\_\_\_\_  
City: \_\_\_\_\_ State: \_\_\_\_ Zip: \_\_\_\_\_  
Phone: \_\_\_\_\_

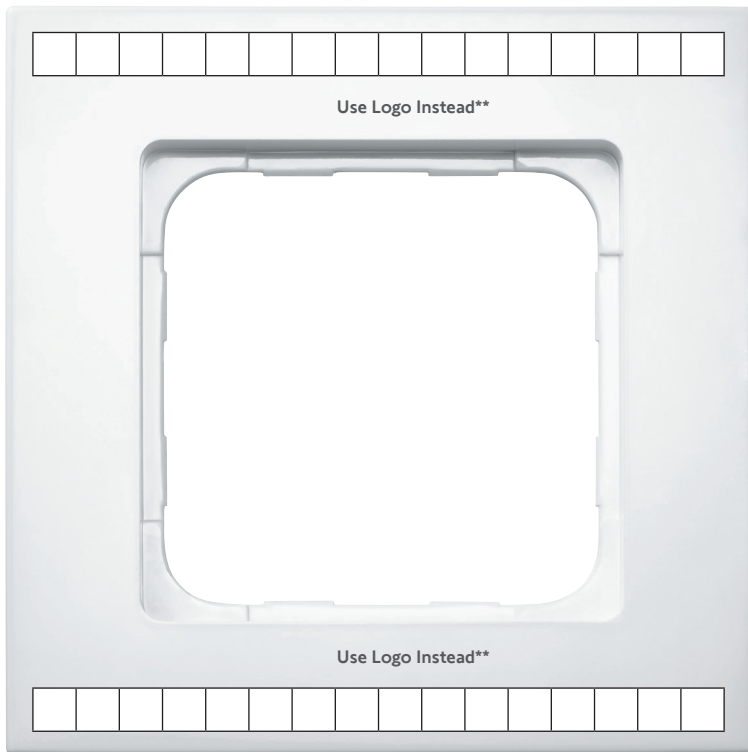
#### Project Information

Project Name: \_\_\_\_\_  
Installer Name/Company: \_\_\_\_\_  
P/O #: \_\_\_\_\_ Order #: \_\_\_\_\_  
Area: \_\_\_\_\_  
Room: \_\_\_\_\_

SINGLE GANG ENGRAVING OPTIONS

#### OPTION 1: Smoove® 1 RTS

Complete section for the desired option



\*\*Logo specs: Maximum dimension: 1.97 in (5cm) wide x .39 in. (1cm) high  
File format (type): .dxf files only

#### STYLE OPTIONS

Choose only 1

Smoove Frame, Pure  
#9027376 (Frame Only)

Quantity:

Smoove 1 RTS Pure  
#1871191 (Switch + Frame)

Quantity:

#### Example:



**Engraving Options** - Default option will be used if nothing is selected.

Character Types: (choose one)

ALL LETTERS CAPITALIZED (Default)

First Letters Capitalized

As written in above section



### SMOOVE® WIRELESS WALL SWITCHES

#### Custom Engraving Order Form

Available for Pure frames only

Customer Name: \_\_\_\_\_ Customer #: \_\_\_\_\_

SHIPPING

#### Shipping Information

Ship to: Default Shipping Address      Drop Ship  
Name: \_\_\_\_\_  
Address: \_\_\_\_\_  
City: \_\_\_\_\_ State: \_\_\_\_\_ Zip: \_\_\_\_\_  
Phone: \_\_\_\_\_

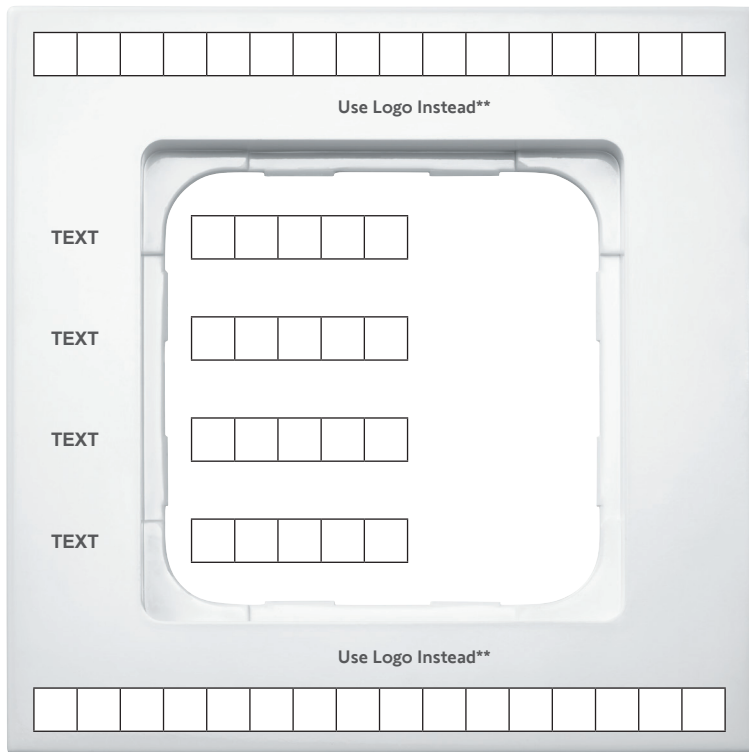
#### Project Information

Project Name: \_\_\_\_\_  
Installer Name/Company: \_\_\_\_\_  
P/O #: \_\_\_\_\_ Order #: \_\_\_\_\_  
Area: \_\_\_\_\_  
Room: \_\_\_\_\_

SINGLE GANG ENGRAVING OPTIONS

#### OPTION 2: Smoove® 4 RTS

Complete section for the desired option



\*\*Logo specs: Maximum dimension: 1.97 in (5cm) wide x .39 in. (1cm) high  
File format (type): .dxf files only

#### STYLE OPTIONS

Choose only 1

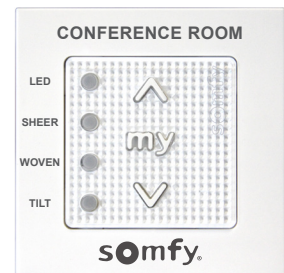
Smoove Frame, Pure  
#9027376 (Frame Only)

Quantity:

Smoove 4 RTS Pure  
#1871192 (Switch + Frame)

Quantity:

#### Example:



**Engraving Options** - Default option will be used if nothing is selected.

Character Types: (choose one)

ALL LETTERS CAPITALIZED (Default)

First Letters Capitalized

As written in above section



### SMOOVE® WIRELESS WALL SWITCHES

#### Custom Engraving Order Form

Available for Pure frames only

Customer Name: \_\_\_\_\_ Customer #: \_\_\_\_\_

SHIPPING

#### Shipping Information

Ship to: Default Shipping Address      Drop Ship  
Name: \_\_\_\_\_  
Address: \_\_\_\_\_  
City: \_\_\_\_\_ State: \_\_\_\_ Zip: \_\_\_\_\_  
Phone: \_\_\_\_\_

#### Project Information

Project Name: \_\_\_\_\_  
Installer Name/Company: \_\_\_\_\_  
P/O #: \_\_\_\_\_ Order #: \_\_\_\_\_  
Area: \_\_\_\_\_  
Room: \_\_\_\_\_

#### OPTION 3: Dual Gang Vertical

Complete section for the desired option

The diagram shows a vertical dual-gang switch plate with two identical sections. Each section has a top and bottom border of 15 small boxes. Between the sections, there are two labels: "Use Logo Instead\*\*". To the left of each section, there are four "TEXT" labels, each corresponding to a row of four larger boxes for engraving.

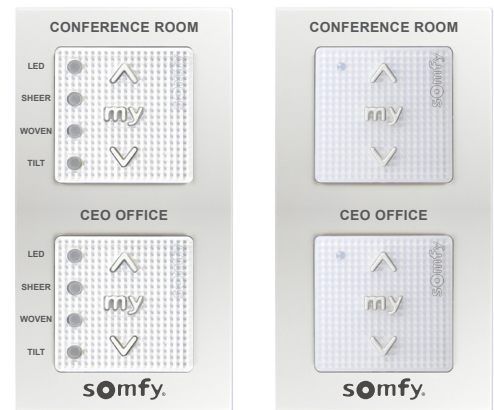
DUAL GANG ENGRAVING OPTIONS

#### STYLE OPTIONS

Smoove Double Frame, Pure  
#9027377 (Frame Only)

Quantity:

#### Examples:



**Engraving Options** - Default option will be used if nothing is selected.

**Character Types:** (choose one)

ALL LETTERS CAPITALIZED (Default)

First Letters Capitalized

As written in above section

\*\*Logo specs: Maximum dimension: 1.97 in (5cm) wide x .39 in. (1cm) high  
File format (type): .dxf files only



### SMOOVE® WIRELESS WALL SWITCHES

#### Custom Engraving Order Form

Available for Pure frames only

Customer Name: \_\_\_\_\_ Customer #: \_\_\_\_\_

SHIPPING

#### Shipping Information

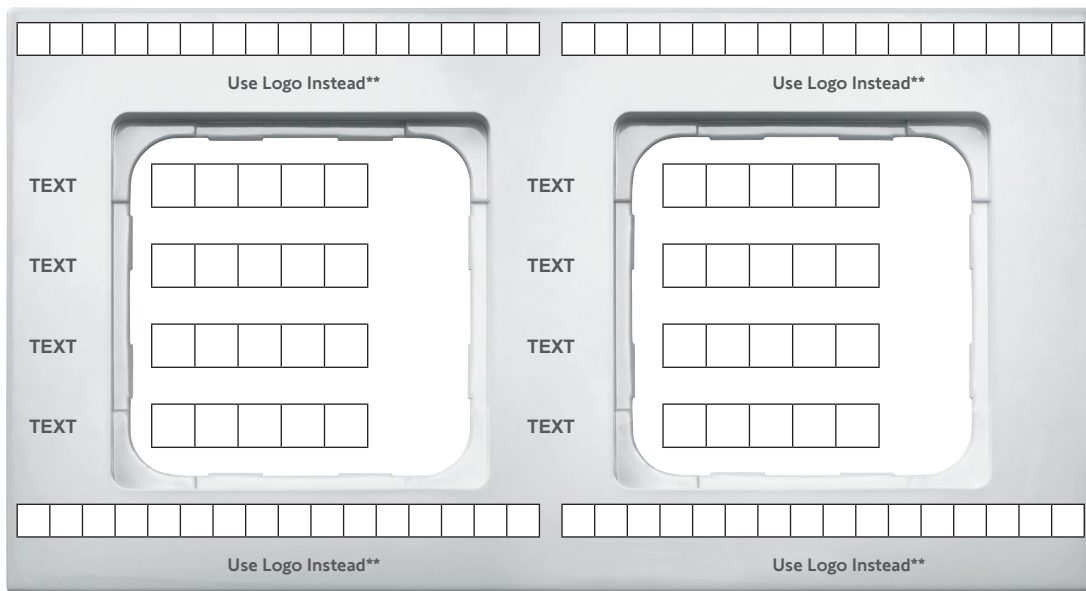
Ship to: Default Shipping Address      Drop Ship  
Name: \_\_\_\_\_  
Address: \_\_\_\_\_  
City: \_\_\_\_\_ State: \_\_\_\_ Zip: \_\_\_\_\_  
Phone: \_\_\_\_\_

#### Project Information

Project Name: \_\_\_\_\_  
Installer Name/Company: \_\_\_\_\_  
P/O #: \_\_\_\_\_ Order #: \_\_\_\_\_  
Area: \_\_\_\_\_  
Room: \_\_\_\_\_

### OPTION 4: Dual Gang Horizontal

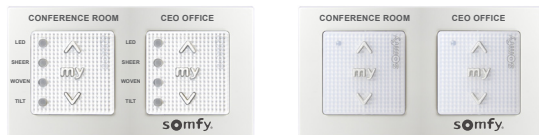
Complete section for the desired option



\*\*Logo specs: Maximum dimension: 1.97 in (5cm) wide x .39 in. (1cm) high. File format (type): .dxf files only

DUAL GANG ENGRAVING OPTIONS

#### Examples:



STYLE  
OPTIONS

Smoove Double Frame, Pure  
#9027377 (Frame Only)

Quantity:

Engraving Options - Default option will be used if nothing is selected.

Character Types:      ALL LETTERS CAPITALIZED (Default)      First Letters Capitalized      As written in above section  
(choose one)

Payment terms of your account will apply. All engraved frames are custom made and are non-cancellable. Please send form to: Fax # (609) 495-8117 or e-mail to: Ordering\_us@somfy.com

New Jersey  
121 Herrod Blvd.  
Dayton, NJ 08810  
T: (609) 395-1300  
F: (609) 395-1776

Somfy Systems, Inc.  
T: (800) 22-SOMFY  
www.somfypro.com  
Florida  
1200 SW 35th Ave.  
Boynton Beach, FL 33426  
T: (561) 995-0335  
F: (561) 995-7502

California  
15301 Barranca Parkway  
Irvine, CA 92618-2201  
T: (949) 727-3510  
F: (949) 727-3775

Somfy ULC  
T: (800) 66-SOMFY  
www.somfypro.ca  
6411 Edwards Blvd  
Mississauga, ON L5T 2P7  
CN: (800) 66-SOMFY  
F: (905) 564-6446



Make the move

#### About Somfy®

For over 50 years, Somfy has been pioneering innovative motorization and automated solutions for window coverings and exterior shading products. With comfort, ease of use, security, and sustainability in mind, our seamless and connected solutions are designed to help people make the move to living spaces impactful for humans and with a reduced impact on nature.

A BRAND OF **SOMFY** GROUP

New Jersey  
121 Herrod Blvd.  
Dayton, NJ 08810  
T: (609) 395-1300  
F: (609) 395-1776

**Somfy Systems, Inc.**  
**T: (800) 22-SOMFY**  
**www.somfypro.com**

Florida  
1200 SW 35th Ave.  
Boynton Beach, FL 33426  
T: (561) 995-0335  
F: (561) 995-7502

California  
15301 Barranca Pkwy.  
Irvine, CA 92618-2201  
T: (949) 727-3510  
F: (949) 727-3775

**Somfy ULC**  
**T: (800) 66-SOMFY**  
**www.somfypro.ca**

Canada  
6411 Edwards Blvd.  
Mississauga, ON L5T 2P7  
T: (905) 564-6446  
F: (905) 238-1491